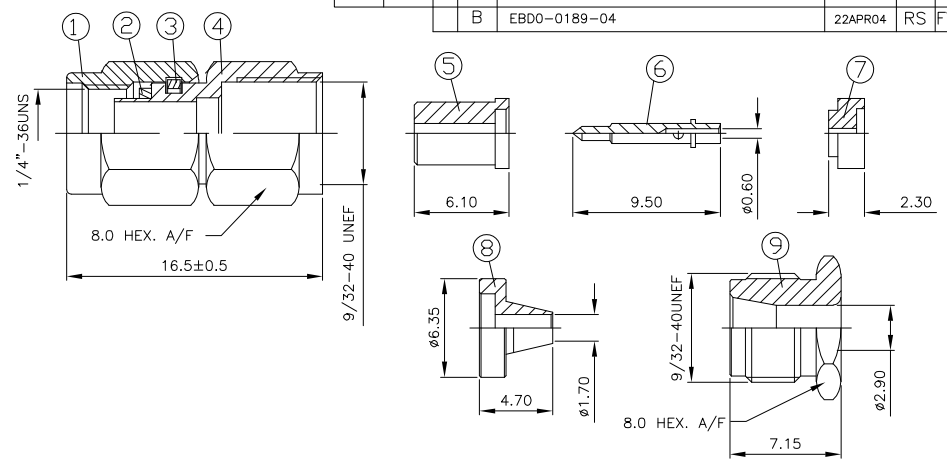


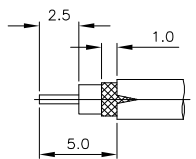
THIS DRAWING IS UNPUBLISHED. RELEASED FOR PUBLICATION APRIL, 2004.
 © COPYRIGHT 2004 BY TYCO ELECTRONICS CORPORATION. ALL RIGHTS RESERVED.

- NOTES:
- 1 SINGLE PACK IN ACCORDANCE WITH SPEC 107-3275
 - 2 100 TRAY PACK IN ACCORDANCE WITH SPEC 107-3275
 - 3 0.08μm Au PLATING OVER 1.27μm Ni PLATING
 - 4 0.76μm Au PLATING OVER 1.27μm Ni PLATING OVER 0.76μm Cu PLATING
 - 5 PASSIVATED
 - 6 FOR TECHNICAL DATA REFER TO YOUR LOCAL TYCO ELECTRONICS SALES OFFICE
 - 7 ALL DIMENSIONS ARE NOMINAL FOR REFERENCE ONLY UNLESS OTHERWISE STATED

| LOC | DIST | REVISIONS | | | |
|-----|------|--------------|---------|-----|------|
| P | LTR | DESCRIPTION | DATE | DWN | APVD |
| B | | EBD0-0189-04 | 22APR04 | RS | FWK |



RECOMMENDED CABLE STRIPPING DIM'S



| QUANTITY PER ASSY | | | | | | PARTS LIST | | | |
|-------------------|--|------|------|------|------|-----------------|---|----------------|------|
| | | 1 | 1 | - | - | STAINLESS STEEL | △ | NUT | 9 |
| | | - | - | 1 | 1 | STAINLESS STEEL | △ | NUT | 9 |
| | | 1 | 1 | - | - | STAINLESS STEEL | △ | CLAMP | 8 |
| | | - | - | 1 | 1 | STAINLESS STEEL | △ | CLAMP | 8 |
| | | 1 | 1 | 1 | 1 | PTFE | | INSULATOR 2 | 7 |
| | | 1 | 1 | 1 | 1 | BRASS | △ | CENTER CONTACT | 6 |
| | | 1 | 1 | 1 | 1 | PTFE | | INSULATOR 1 | 5 |
| | | 1 | 1 | - | - | STAINLESS STEEL | △ | BODY | 4 |
| | | - | - | 1 | 1 | STAINLESS STEEL | △ | BODY | 4 |
| | | 1 | 1 | 1 | 1 | STAINLESS STEEL | | CIRCLIP | 3 |
| | | 1 | 1 | 1 | 1 | SILICONE | | GASKET | 2 |
| | | 1 | 1 | - | - | STAINLESS STEEL | △ | SHELL | 1 |
| | | - | - | 1 | 1 | STAINLESS STEEL | △ | SHELL | 1 |
| | | 2--1 | 2--0 | 1--1 | 1--0 | MATERIAL | | DESCRIPTION | ITEM |

THIS DRAWING IS A CONTROLLED DOCUMENT.

| | | | |
|-------------|---|------------------------------------|---|
| DIMENSIONS: | TOLERANCES UNLESS OTHERWISE SPECIFIED: | DWN R. SMITH 10FEB04 | Tyco Electronics Corporation Bideford, UK, EX39 4HE |
| mm | 0 PLC ± - 1 PLC ± - 2 PLC ± - 3 PLC ± - 4 PLC ± - ANGLES ± - | CHK S. PARLOW 10FEB04 | |
| MATERIAL | FINISH SEE TABLE | APVD E. WHEELER-KING 10FEB04 | NAME SMA STRAIGHT PLUG, JACK SOLDER PIN, CLAMP ATTACHMENT |
| | | PRODUCT SPEC 108-3460 | SIZE RG188A/U, 316/U, RG174A/U, URM95, KX3B, KX22A |
| | | APPLICATION SPEC 411-3276 | DRAWING NO A3 00779 C-1478908 |
| | | WEIGHT - | RESTRICTED TO - |
| | | CUSTOMER DRAWING | SCALE 1:1 SHEET 1 OF 1 REV B |

AMP 1470-19 REV 31MAR2000