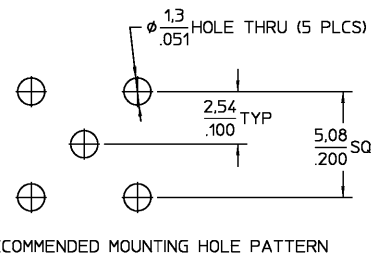
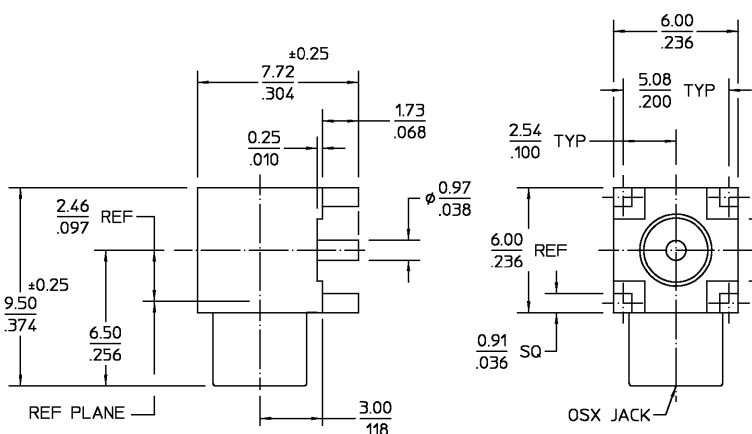


REV	DESCRIPTION	DATE	APPROVED
01.5	SEE ECN 92-0572	DEC 10/30/90	CM 10/30/90
01.6	REVISED DATA TABLE PER ECN 95-0262	6/21/95	S. Moody
01.7	REVISED, ECN 97-0391	12-3-97	KYLE
01.8	REVISED	DM 3/16/99	3/16/99



ELECTRICAL	MECHANICAL	ENVIRONMENTAL
Nominal Impedance (Ohms) <u>50</u> Frequency Range (GHz) <u>DC TO 6.0</u> Voltage Rating (VRMS MAX) <u>335 @ Sea level</u> VSWR <u>N/A</u> Insertion Loss <u>N/A</u> Corona, 70,000 Ft (VRMS MIN) <u>250</u> D.W.V. (VRMS MIN) <u>1000</u> Contact Resistance Center Contact (Milliohms MAX) <u>5.0</u> Outer Contact (Milliohms MAX) <u>10</u> Cable To Housing (Milliohms MAX) <u>10</u> RF High Potential (VRMS MIN @ 5 MHz) <u>670</u> I.R. (Megohms Min) <u>10,000</u>	Force to Engage: (Lbs) <u>3.4 MAX</u> Force to Disengage: (Lbs) <u>1.77 MIN - 4.5 MAX</u> Center Contact Captivation: Axial <u>4.5lbs @ 1 minute</u> with <u>.006" displacement</u> <u>XX.XX = mm</u> <u>.XXX = in</u>	Temperature Rating <u>-65°C to +165°C</u> Vibration <u>MIL-STD-202, Method 204, Condition B</u> Thermal shock <u>MIL-STD-202, Method 107, Condition B</u> Moisture Resistance <u>MIL-STD-202, Method 106</u> Corrosion <u>MIL-STD-202, Method 101, Condition B, 48 Hrs</u>

COMPONENT	MATERIAL	FINISH															
HOUSING CAP DIELECTRIC CENTER CONTACT	BRASS PER ASTM-B-16 HALF HARD PTFE FLUOROCARBON PER ASTM-D-1457 BERYLLIUM COPPER PER ASTM B 196, ALLOY C17300, CONDITION H	NICKEL PLATE PER QQ-N-290 N/A GOLD PLATE PER MIL-G-45204															
<table border="1"> <tr> <td>UNLESS OTHERWISE SPECIFIED DIMENSIONS ARE IN MILLIMETERS TOLERANCE ON DEC. ANGLES ±.01</td> <td> DRAWN BY: M.Y. DATE: 3-8-90 CHECKED BY: L.ROSS DATE: 3-13-90 APP'D BY: Q.K.S. DATE: 3-13-90 </td> <td> AMP Incorporated 140 Fourth Avenue Waltham, MA 02451-7599 </td> </tr> <tr> <td colspan="3"> TITLE OSX PRINTED WIRING BOARD RIGHT ANGLE JACK RECEPTACLE STRAIGHT TERMINAL </td> </tr> <tr> <td>SIZE B</td> <td>CODE IDENT NO. 26805</td> <td>5864-5002-10</td> </tr> <tr> <td>SCALE 6:1</td> <td></td> <td>REV 01.8</td> </tr> <tr> <td colspan="3">SHEET 1 OF 1</td> </tr> </table>			UNLESS OTHERWISE SPECIFIED DIMENSIONS ARE IN MILLIMETERS TOLERANCE ON DEC. ANGLES ±.01	DRAWN BY: M.Y. DATE: 3-8-90 CHECKED BY: L.ROSS DATE: 3-13-90 APP'D BY: Q.K.S. DATE: 3-13-90	AMP Incorporated 140 Fourth Avenue Waltham, MA 02451-7599	TITLE OSX PRINTED WIRING BOARD RIGHT ANGLE JACK RECEPTACLE STRAIGHT TERMINAL			SIZE B	CODE IDENT NO. 26805	5864-5002-10	SCALE 6:1		REV 01.8	SHEET 1 OF 1		
UNLESS OTHERWISE SPECIFIED DIMENSIONS ARE IN MILLIMETERS TOLERANCE ON DEC. ANGLES ±.01	DRAWN BY: M.Y. DATE: 3-8-90 CHECKED BY: L.ROSS DATE: 3-13-90 APP'D BY: Q.K.S. DATE: 3-13-90	AMP Incorporated 140 Fourth Avenue Waltham, MA 02451-7599															
TITLE OSX PRINTED WIRING BOARD RIGHT ANGLE JACK RECEPTACLE STRAIGHT TERMINAL																	
SIZE B	CODE IDENT NO. 26805	5864-5002-10															
SCALE 6:1		REV 01.8															
SHEET 1 OF 1																	

CUSTOMER DRAWING AMP PART # 1061027-1 SHEET 1 OF 1 REV A