

4

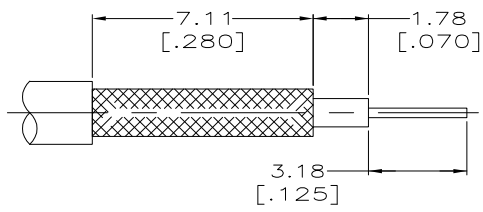
3

2

1

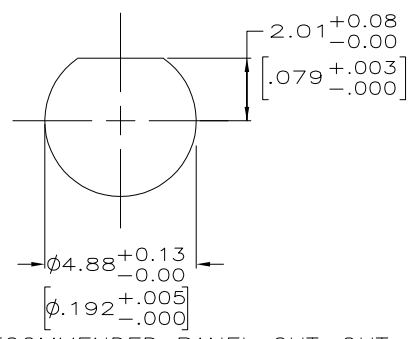
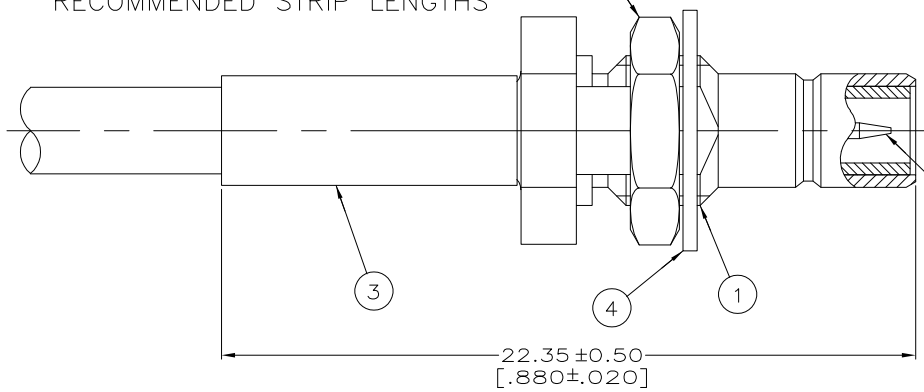
THIS DRAWING IS UNPUBLISHED. RELEASED FOR PUBLICATION
 © COPYRIGHT - BY TYCO ELECTRONICS CORPORATION. ALL RIGHTS RESERVED.

LOC	DIST	REVISIONS					
AJ	16	P	LTR	DESCRIPTION	DATE	DWN	APVD
		A		REVISED PER 0514-0150-05	06OCT2005	REH	JGH



RECOMMENDED STRIP LENGTHS

- 1. PARTS PACKAGED UNASSEMBLED.
- ⚠ CONTACT CRIMP: CRIMP TOOL MIL-C-22520/5-01 WITH DANIELS POSITIONER K727; SET ON POSITION #2.
- ⚠ BRAID CRIMP: AMP HAND TOOL PART NUMBER 220190-1 WITH DIE SET PART NUMBER 58046-1, OR HAND TOOL MIL-C-22520/5-01 WITH DANIELS DIE SET NUMBER Y144.
- ⚠ BRAID CRIMP: AMP HAND TOOL PART NUMBER 220190-1 WITH DIE SET PART NUMBER 59969-2, OR HAND TOOL MIL-C-22520/5-01 WITH DANIELS DIE SET NUMBER Y196.



RECOMMENDED PANEL CUT-OUT

RD-316	⚠ ⚠	414969-2	415001-2	1-413889-4	228225-2	9-415007-0	5415006-2
RG-188/U & -316/U	⚠ ⚠	414969-2	415001-2	1-413889-3	228225-2	9-415007-0	5415006-1
CABLE	CRIMP TOOLING	Ⓟ JAM NUT QTY=1	Ⓞ LOCKWASHER QTY=1	Ⓝ FERRULE QTY=1	Ⓠ CONTACT QTY=1	Ⓛ JACK ASSY QTY=1	PART NUMBER

THIS DRAWING IS A CONTROLLED DOCUMENT.

DIMENSIONS: mm [NCHES]	TOLERANCES UNLESS OTHERWISE SPECIFIED:	OWN J. HAVENER 31MAR2005	Tyco Electronics Corporation Harrisburg, PA 17105-3608
0 PLC ± -	1 PLC ± -	CHK J. HAVENER 31MAR2005	
2 PLC ± 0.25 [.010]	3 PLC ± -	APVD J. HAVENER 31MAR2005	NAME
4 PLC ± -	ANGLES ± -	PRODUCT SPEC	BULKHEAD JACK, SMB
MATERIAL	FINISH	APPLICATION SPEC	SIZE CAGE CODE DRAWING NO
-	-	WEIGHT	A300779 C=5415006
		CUSTOMER DRAWING	RESTRICTED TO
		SCALE 8:1	SHEET 1 of 1 REV A