

4

3

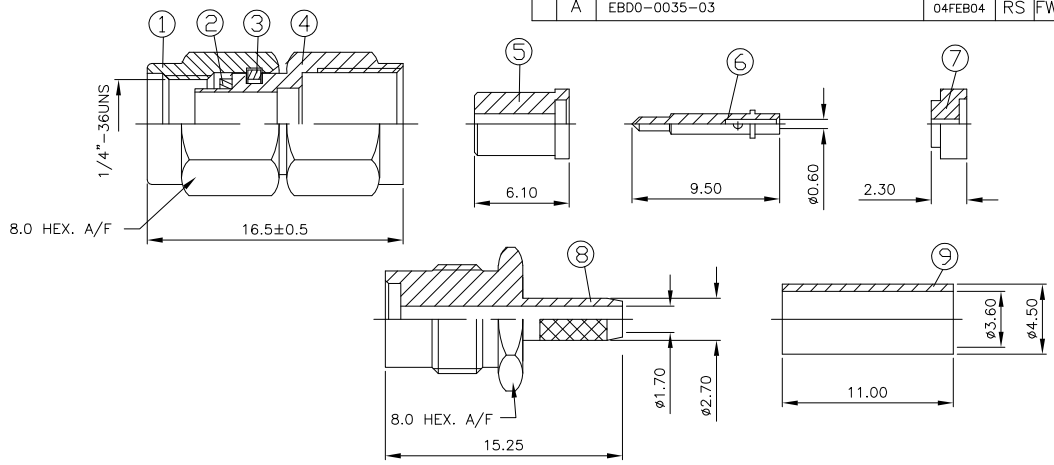
2

1

THIS DRAWING IS UNPUBLISHED. RELEASED FOR PUBLICATION APRIL, 2004.  
 © COPYRIGHT 2004 BY TYCO ELECTRONICS CORPORATION. ALL RIGHTS RESERVED.

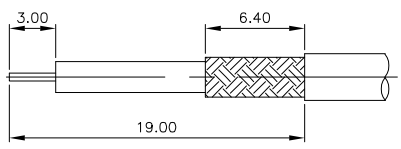
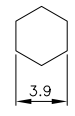
LOC		DIST		REVISIONS			
P	LTR	DESCRIPTION		DATE	DWN	APVD	
A		EBD0-0035-03		04FEB04	RS	FWK	

- NOTES:
- 1 SINGLE PACK IN ACCORDANCE WITH SPEC 107-3275
  - 2 100 TRAY PACK IN ACCORDANCE WITH SPEC 107-3275
  - 3 0.08µm Au PLATING OVER 1.27µm Ni PLATING
  - 4 0.76µm Au PLATING OVER 1.27µm Ni PLATING OVER 0.76µm Cu PLATING
  - 5 PASSIVATED
  - 6 PLATING AS PER BODY, EXCEPT FOR PASSIVATED WHICH IS NICKEL PLATED
  - 7 HAND TOOL 9-1478240-0
  - 8 DIE SET 9-1478248-0
  - 9 FOR TECHNICAL DATA REFER TO YOUR LOCAL TYCO ELECTRONICS SALES OFFICE
  - 10 ALL DIMENSIONS ARE NOMINAL FOR REFERENCE ONLY UNLESS OTHERWISE STATED



RECOMMENDED  
CRIMP SLEEVE  
A/F HEX

RECOMMENDED  
CABLE STRIPPING DIM'S



QTY	UNIT	MATERIAL	DESCRIPTION	ITEM						
1	1	BRASS	CRIMP SLEEVE	9						
1	1	STAINLESS STEEL	BODY 2	8						
-	-	1	STAINLESS STEEL	BODY 2	8					
1	1	PTFE	INSULATOR 2	7						
1	1	BRASS	CENTER CONTACT	6						
1	1	PTFE	INSULATOR 1	5						
1	1	STAINLESS STEEL	BODY 1	4						
-	-	1	STAINLESS STEEL	BODY 1	4					
1	1	1	STAINLESS STEEL	CIRCLIP	3					
1	1	1	SILICON	GASKET	2					
1	1	-	STAINLESS STEEL	SHELL	1					
-	-	1	STAINLESS STEEL	SHELL	1					
2	-1	2	-0	1	-1	1	0	MATERIAL	DESCRIPTION	ITEM

THIS DRAWING IS A CONTROLLED DOCUMENT.

DIMENSIONS: mm	TOLERANCES UNLESS OTHERWISE SPECIFIED: 0 PLC ± - 1 PLC ± - 2 PLC ± - 3 PLC ± - 4 PLC ± - ANGLES ± -	DWN R. SMITH 04FEB04 CHK S. PARLOW 04FEB04 APVD F. WHEELER-KING 04FEB04	Tyco Electronics Corporation Bideford, UK, EX39 4HE
MATERIAL SEE TABLE	FINISH	PRODUCT SPEC <b>108-3460</b> APPLICATION SPEC <b>411-3276</b>	NAME <b>SMA STRAIGHT PLUG, SOLDER PIN, CRIMP ATTACHMENT RD316</b>
		WEIGHT	SIZE CAGE CODE DRAWING NO A3 00779 C-1478922
		CUSTOMER DRAWING	RESTRICTED TO
		SCALE 1:1	SHEET 1 OF 1 REV A