

4

3

2

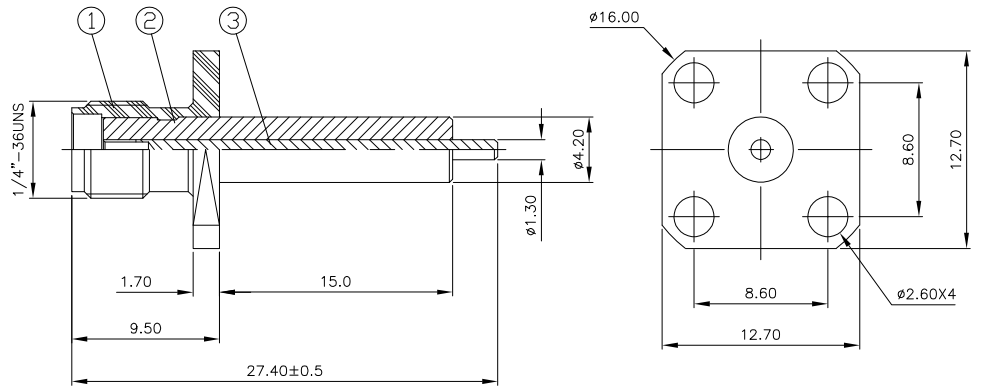
1

THIS DRAWING IS UNPUBLISHED. RELEASED FOR PUBLICATION APRIL, 2004.
 © COPYRIGHT 2004 BY TYCO ELECTRONICS CORPORATION. ALL RIGHTS RESERVED.

LOC	DIST	REVISIONS			
P	LTR	DESCRIPTION	DATE	DWN	APVD
A		EBD0-0035-03	06FEB04	RS	FWK

NOTES:

- 1 SINGLE PACK IN ACCORDANCE WITH SPEC 107-3275
- 2 100 TRAY PACK IN ACCORDANCE WITH SPEC 107-3275
- 3 0.08µm Au PLATING OVER 1.27µm Ni PLATING
- 4 0.08µm Au PLATING OVER 1.27µm Ni PLATING OVER 0.76µm Cu PLATING
- 5 0.76µm Au PLATING OVER 1.27µm Ni PLATING OVER 0.76µm Cu PLATING
- 6 PASSIVATED
- 7 WHITE BRONZE PLATING
- 8 FOR TECHNICAL DATA REFER TO YOUR LOCAL TYCO ELECTRONICS SALES OFFICE
- 9 ALL DIMENSIONS ARE NOMINAL FOR REFERENCE ONLY UNLESS OTHERWISE STATED



QTY	QTY	QTY	QTY	QTY	QTY	QTY	QTY	QTY	MATERIAL	DESCRIPTION	ITEM
1	1	1	1	1	1	1	1	1	BERYLLIUM COPPER	CENTER SOCKET	3
1	1	1	1	1	1	1	1	1	PTFE	INSULATOR	2
1	1	-	-	-	-	-	-	-	BRASS	BODY	1
-	-	1	1	-	-	-	-	-	BRASS	BODY	1
-	-	-	-	1	1	-	-	-	STAINLESS STEEL	BODY	1
-	-	-	-	-	-	1	1	-	STAINLESS STEEL	BODY	1
4--1	4--0	3--1	3--0	2--1	2--0	1--1	1--0	-	MATERIAL	DESCRIPTION	ITEM

THIS DRAWING IS A CONTROLLED DOCUMENT.

DIMENSIONS: mm	TOLERANCES UNLESS OTHERWISE SPECIFIED: 0 PLC ± - 1 PLC ± - 2 PLC ± - 3 PLC ± - 4 PLC ± - ANGLES ± -	DWN R. SMITH 06FEB04 CHK S. PARLOW 06FEB04 APVD E. WHEELER-KING 06FEB04 PRODUCT SPEC APPLICATION SPEC WEIGHT	Tyco Electronics Corporation Bideford, UK, EX39 4HE NAME: SMA PANEL SOCKET LAUNCHER, 4 HOLE FLANGE, EXTENDED DIELECTRIC, NON-CAPTIVE SIZE: A3 CAGE CODE: 00779 DRAWING NO: 1478968 RESTRICTED TO:
MATERIAL: SEE TABLE	FINISH: -	CUSTOMER DRAWING	SCALE: 1:1 SHEET 1 OF 1 REV A