

4

3

2

1

THIS DRAWING IS UNPUBLISHED. RELEASED FOR PUBLICATION AUGUST, 2006.
 © COPYRIGHT 2006 BY TYCO ELECTRONICS CORPORATION. ALL RIGHTS RESERVED.

LOC		DIST		REVISIONS			
P	LTR	DESCRIPTION		DATE	DWN	APVD	
B		ECR-06-018891		22AUG06	JMS	FWK	

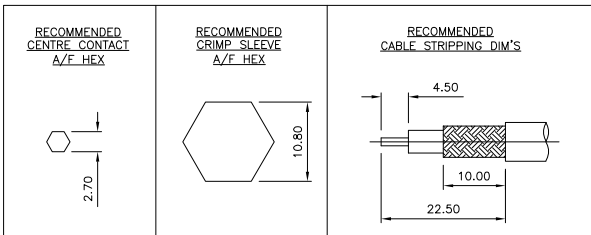
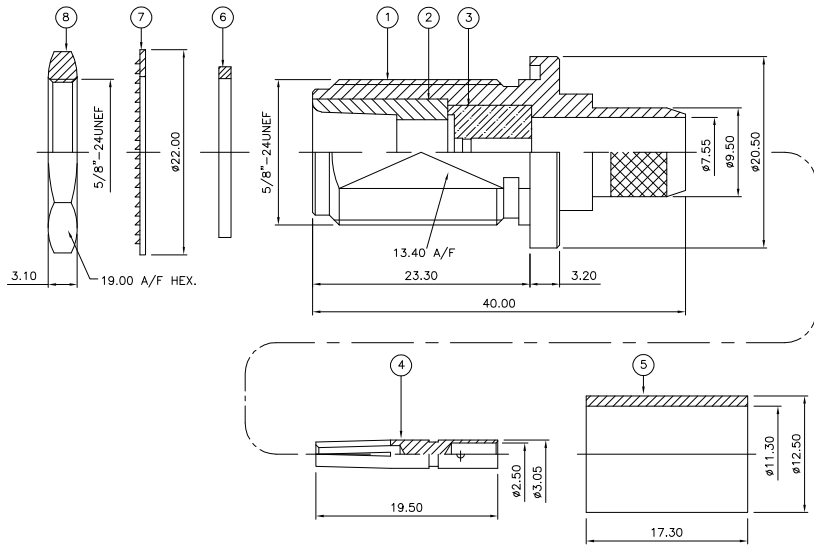
NOTES:

- 1 PACK IN ACCORDANCE WITH AMP SPEC 107-3275
- 2 100 TRAY PACK IN ACCORDANCE WITH AMP SPEC 107-3275
- 3 Ag PLATING
- 4 THIS ITEM MUST BE WHITE
- 5 HAND TOOL : 9-1478240-0
- 6 DIE SET : 9-1478246-0
- 7 ELECTRICAL CHARACTERISTICS

FREQUENCY RANGE:	DC - 11 GHz
NOMINAL IMPEDANCE:	50 Ohm
INSULATION RESISTANCE:	5000 MOhm
WORKING VOLTAGE:	1000 Volts RMS at Sea Level
DIELECTRIC WITHSTAND VOLTAGE:	2500 Volts RMS Max
CONTACT RESISTANCE:	
CENTRE CONTACT:	1.00 mOhm Max
OUTER CONTACT:	1.00 mOhm Max
VSWR @ 4GHz:	1.30:1 Max
INSERTION LOSS dB @ x 4 GHz:	0.30 Max
- 8 MECHANICAL CHARACTERISTICS

COUPLING NUT RETENTION FORCE:	N/A
CABLE RETENTION FORCE:	350N Min
MOUNT NUT RECOMMENDED TORQUE:	6N
DURABILITY:	500 Cycles Min
- 9 ENVIRONMENTAL CHARACTERISTICS

OPERATING TEMPERATURE:	-65 to +165 DegC
------------------------	------------------
- 10 FOR TECHNICAL DATA REFER TO YOUR LOCAL TYCO ELECTRONICS SALES OFFICE
- 11 ALL DIMENSIONS ARE NOMINAL FOR REFERENCE ONLY UNLESS OTHERWISE STATED



THIS DRAWING IS A CONTROLLED DOCUMENT.	
DIMENSIONS:	TOLERANCES UNLESS OTHERWISE SPECIFIED:
mm	0 PLC ± .1
	1 PLC ± .1
	2 PLC ± .1
	3 PLC ± .1
	4 PLC ± .1
	ANGLES ± .1
MATERIAL	FINISH
SEE TABLE	-

QTY	UNIT	MATERIAL	DESCRIPTION	ITEM
1	1	BRASS	HEXAGONAL NUT	8
1	1	STEEL	LOCKWASHER	7
1	1	SILICONE RUBBER	GASKET	6
1	1	BRASS	FERRULE	5
1	1	BRASS	CONTACT	4
1	1	PTFE	INSULATION	3
1	1	BRASS	CHASSIS	2
1	1	BRASS	BODY	1
6--0	1--0	MATERIAL	DESCRIPTION	ITEM

QUANTITY PER ASSY		PARTS LIST	
DWN J.SANDWELL 22AUG06		Tyco Electronics Corporation	
CHK S.PARLOW 22AUG06		Bideford EX39 4HE	
APVD E.WHEELER-KING 22AUG06		NAME	
PRODUCT SPEC		TYPE 'N' BULKHEAD JACK REAR MNT CRIMP 50 OHM	
APPLICATION SPEC		RG9B/U, 214/U, URM91, KX13, KX24	
411-3247		SIZE	
WEIGHT		CAGE CODE	
CUSTOMER DRAWING		DRAWING NO	
SCALE NTS		RESTRICTED TO	
SHEET 1 OF 1		REV B	