

4

3

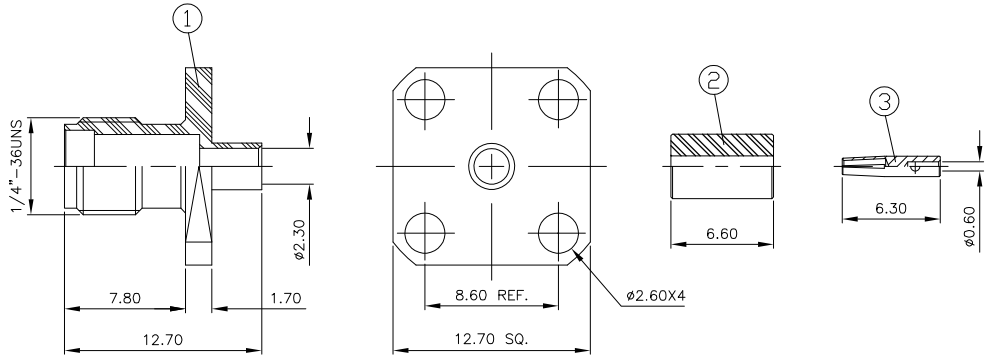
2

1

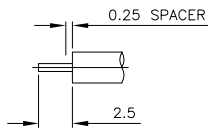
THIS DRAWING IS UNPUBLISHED. RELEASED FOR PUBLICATION APRIL, 2004.
 © COPYRIGHT 2004 BY TYCO ELECTRONICS CORPORATION. ALL RIGHTS RESERVED.

LOC		DIST		REVISIONS			
P	LTR	DESCRIPTION		DATE	DWN	APVD	
A		EBD0-0035-03		30JAN04	RS	FWK	

- NOTES:
- ① SINGLE PACK IN ACCORDANCE WITH SPEC 107-3275
 - ② 100 TRAY PACK IN ACCORDANCE WITH SPEC 107-3275
 - ③ 0.08µm Au PLATING OVER 1.27µm Ni PLATING
 - ④ 0.76µm Au PLATING OVER 1.27µm Ni PLATING OVER 0.76µm Cu PLATING
 - 5 FOR TECHNICAL DATA REFER TO YOUR LOCAL TYCO ELECTRONICS SALES OFFICE
 - 6 ALL DIMENSIONS ARE NOMINAL FOR REFERENCE ONLY UNLESS OTHERWISE STATED



RECOMMENDED
CABLE STRIPPING DIM'S



QTY	DESCRIPTION	ITEM
1	PTFE	INSULATOR 3
1	BERYLLIUM COPPER ④	SOCKET 2
1	STAINLESS STEEL ③	BODY 1
1-1	MATERIAL	DESCRIPTION
④		ITEM

THIS DRAWING IS A CONTROLLED DOCUMENT.		DWN R. SMITH 30JAN04	Tyco Electronics Corporation Bideford, UK, EX39 4HE	
DIMENSIONS: mm	TOLERANCES UNLESS OTHERWISE SPECIFIED:	CHK S. PARLOW 30JAN04	NAME SMA PANEL JACK 4 HOLE FLANGE DIRECT SOLDER NON CAPTIVE CONTACT RG405/U	
0 PLC ± -	1 PLC ± -	APVD E. WHEELER-KING 30JAN04	PRODUCT SPEC 108-3460	
2 PLC ± -	3 PLC ± -	APPLICATION SPEC 411-3276	SIZE A3	CAGE CODE 00779
4 PLC ± -	ANGLES ± -	WEIGHT -	DRAWING NO C-1478931	RESTRICTED TO -
MATERIAL SEE TABLE	FINISH -	CUSTOMER DRAWING	SCALE 1:1	SHEET 1 OF 1