

4

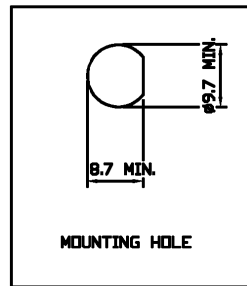
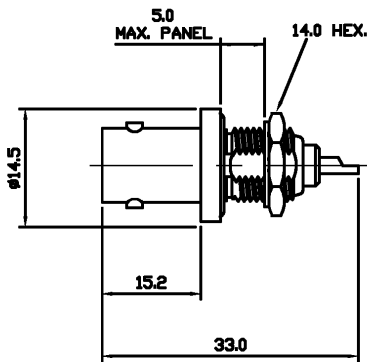
3

2

1

THIS DRAWING IS UNPUBLISHED. RELEASED FOR PUBLICATION 7-8-00 .- .
 © COPYRIGHT 2000 BY TYCO ELECTRONICS CORPORATION. ALL RIGHTS RESERVED.

LOC		DIST		REVISIONS			
P	LTR	DESCRIPTION		DATE	DWN	APVD	
B		EB00 - 0304 - 01		27-9-01	RG	FWK	



△ SUPPLIED SEMI-ASSEMBLED (PACK CONTAINS LOOSE PIECES)
 VIEW SHOWS ASSEMBLED CONNECTOR

ALL DIMENSIONS ARE NOMINAL. FOR REFERENCE ONLY.

DIE SET PART NUMBER	N/A
HANDTOOL PART NUMBER	N/A
FOR USE ON CABLES	N/A
CONNECTOR PLATING DETAIL	SILVER
CONTACT PLATING DETAIL	SILVER
DIELECTRIC MATERIAL	TEFLON
GASKET MATERIAL	WHITE SILICONE RUBBER

THIS DRAWING IS A CONTROLLED DOCUMENT.	
DIMENSIONS:	TOLERANCES UNLESS OTHERWISE SPECIFIED:
MM	
0 PLC	±
1 PLC	±
2 PLC	±
3 PLC	±
4 PLC	±
ANGLES	±
MATERIAL	FINISH
-	-

BAG	SINGLE ITEM	1-1337505-0
PACK TYPE	DESCRIPTION	PART NUMBER
DWN R.SMITH 07-SEP-00	Tyco Electronics Corporation	
CHK R.GOODALL 07-SEP-00	Stanmore, Middlesex, HA7 4RS	
APVD R.GOODALL 07-SEP-00	NAME	
PRODUCT SPEC	BNC BULKHEAD SOCKET 50 Ohm	
108-3435	SIZE	CAGE CODE DRAWING NO
APPLICATION SPEC	A3	00779 C-1337505
WEIGHT	RESTRICTED TO	
-	-	
CUSTOMER DRAWING	SCALE NTS	SHEET 1 OF 1 REV B