

4

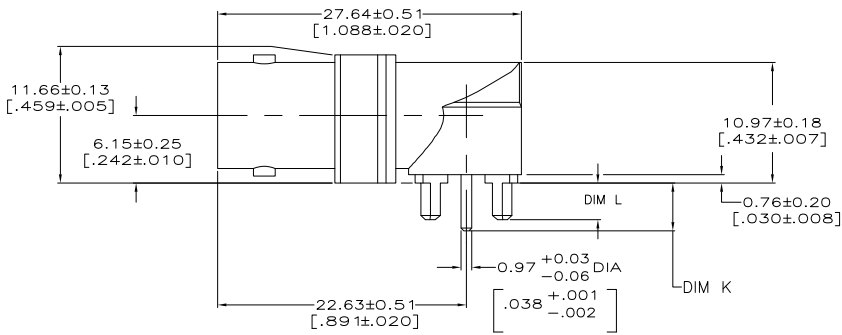
3

2

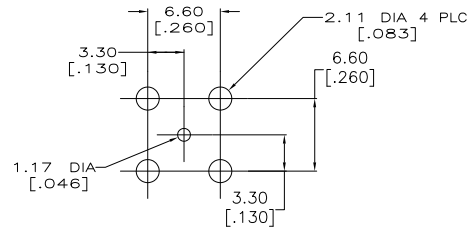
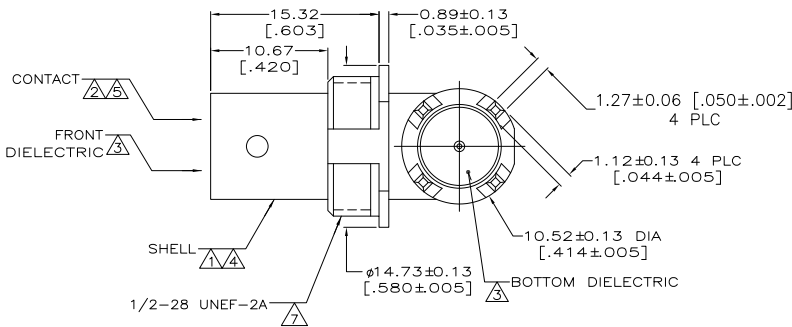
1

THIS DRAWING IS UNPUBLISHED. RELEASED FOR PUBLICATION.
 © COPYRIGHT BY TYCO ELECTRONICS CORPORATION. ALL RIGHTS RESERVED.

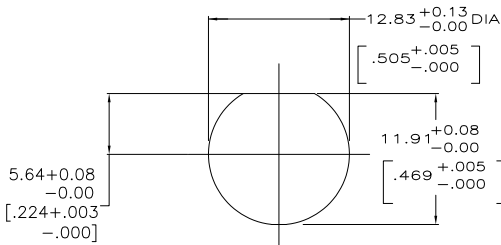
LOC	DIST	REVISIONS		
F	LN	DESCRIPTION	DATE	BY
AJ	00	REV PER ECO-09-005796	06AUG2009	KF



- 1 ZINC PER QQ-Z-363.
- 2 BERYLLIUM COPPER PER QQ-C-530.
- 3 PTFE PER MIL-P-19468.
- 4 TIN PLATE PER ASTM B 545, 3.81 μm [.000150] MIN THICK.
- 5 GOLD PLATE PER MIL-G-45204, 0.76 μm [.000030] MINIMUM THICK.
- 6. INTERFACE PER MIL-C-39012.
- 7 MODIFIED MAJOR DIAMETER TO 12.29 [.484].



PCB CONFIGURATION



RECOMMENDED PANEL CUTOUT

4.34±0.38 [.171±.015]	4.34±0.38 [.171±.015]	6274425-4
2.44±0.00/0.23 [.096+.000-.009]	2.44±0.00/0.23 [.096+.000-.009]	6274425-3
3.33±0.20 [.131±.008]	4.34±0.38 [.171±.015]	6274425-2
DIM L	DIM K	PART NUMBER

THIS DRAWING IS A CONTROLLED DOCUMENT.		DWN L VARELA - 02FEB2005 CHK J DOCKES - 02FEB2005 J HAVENER - 02FEB2005	Tyco Electronics Corporation Harrisburg, PA 17105-3608
DIMENSIONS: mm [INCHES] DIMENSIONS UNLESS OTHERWISE SPECIFIED: 0 PLC ± - 1 PLC ± - 2 PLC ± - 3 PLC ± - 4 PLC ± - ANGLES ± -	FINISH: APPLICATION SPEC: - WEIGHT: - MATERIAL: -	TITLE: JACK, RIGHT ANGLE, 75 OHM, PCB, BNC SIZE: A2 CASE CODE: 00779 DRAWING NO: 6274425	RESTRICTED TO: - SCALE: 4:1 SHEET: 1 of 1 REV: B3
SEE NOTES 1 - 4	SEE NOTES 5, 6	CUSTOMER DRAWING	