

4

3

2

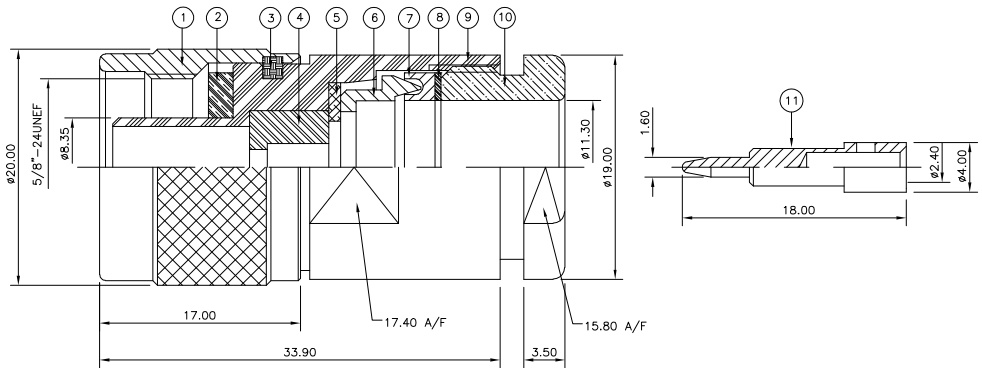
1

THIS DRAWING IS UNPUBLISHED. RELEASED FOR PUBLICATION SEP. 2005.  
 © COPYRIGHT 2005 BY TYCO ELECTRONICS CORPORATION. ALL RIGHTS RESERVED.

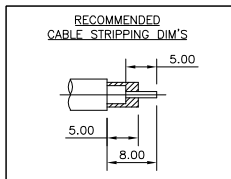
LOC	DIST	REVISIONS			
P	LTR	DESCRIPTION	DATE	DWN	APVD
C		ECR-05-010526	14SEP05	JMS	FWK

NOTES:

- ⚠ PACK IN ACCORDANCE WITH AMP SPEC 107-3275
- ⚠ 100 TRAY PACK IN ACCORDANCE WITH AMP SPEC 107-3275
- ⚠ Ag PLATING
- ⚠ THIS ITEM MUST BE WHITE
- 5. ELECTRICAL CHARACTERISTICS  
 FREQUENCY RANGE: DC - 11 GHz  
 NOMINAL IMPEDANCE: 50 Ohm  
 INSULATION RESISTANCE: 5000 Mohm  
 WORKING VOLTAGE: 1000 Volts RMS at Sea Level  
 DIELECTRIC WITHSTAND VOLTAGE: 2500 Volts RMS Max  
 CONTACT RESISTANCE:  
 CENTRE CONTACT: 1.00 mOhm Max  
 OUTER CONTACT: 1.00 mOhm Max  
 VSWR @ 4GHz: 1.30:1 Max  
 INSERTION LOSS dB @ x 4 GHz: 0.30 Max
- 6. MECHANICAL CHARACTERISTICS  
 COUPLING NUT RETENTION FORCE: 445N Min  
 CABLE RETENTION FORCE: 350N Min  
 CLAMP NUT RECOMMENDED TORQUE: 4.5N  
 DURABILITY: 500 Cycles Min
- 7. ENVIRONMENTAL CHARACTERISTICS  
 OPERATING TEMPERATURE: -65 to +165 DegC



QTY	UNIT	MATERIAL	DESCRIPTION	ITEM
1	1	BRASS	CONTACT	11
1	1	BRASS	CLAMP NUT	10
1	1	BRASS	BODY	9
1	1	BRASS	WASHER	8
1	1	SILICON RUBBER	GASKET	7
1	1	BRASS	SLEEVE	6
1	1	BRASS	WASHER	5
1	1	PTFE	INSULATION	4
1	1	BRASS	CIRCLIP	3
1	1	SILICON RUBBER	GASKET	2
1	1	BRASS	SHELL	1
6--0	1--0	MATERIAL	DESCRIPTION	ITEM



THIS DRAWING IS A CONTROLLED DOCUMENT.

DIMENSIONS: mm	TOLERANCES UNLESS OTHERWISE SPECIFIED:	DWN: J. SANDWELL 14SEP05	14SEP05
0 PLC ± .05	1 PLC ± .02	CHK: S. PARLOW 14SEP05	14SEP05
2 PLC ± .01	3 PLC ± .01	APVD: F. WHEELER-KING 14SEP05	
4 PLC ± .01	ANGLES ± .01	NAME: TYPE-N STRAIGHT PLUG SOLDER 50 OHM	
MATERIAL: SEE TABLE	FINISH: SEE TABLE	PRODUCT SPEC: 108-3435	
		APPLICATION SPEC: 411-3252	
		WEIGHT: -	
		SIZE: A3	CAGE CODE: 00779
		DRAWING NO: 1337404	RESTRICTED TO: -
		CUSTOMER DRAWING	SCALE: NTS
		SHEET: 1	OF: 1
		REV: C	

Tyco Electronics Corporation  
 Bideford EX39 4HE