

4

3

2

1

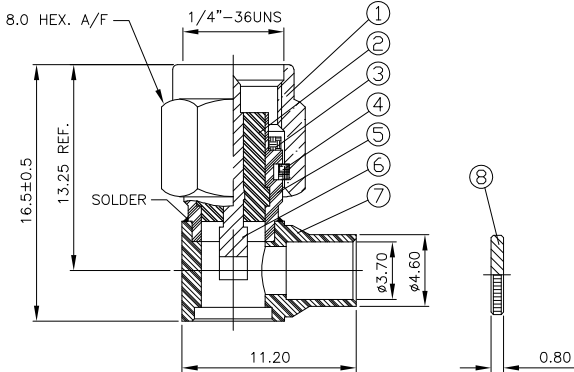
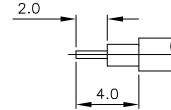
THIS DRAWING IS UNPUBLISHED. RELEASED FOR PUBLICATION APRIL, 2004.
 © COPYRIGHT 2004 BY TYCO ELECTRONICS CORPORATION. ALL RIGHTS RESERVED.

LOC	DIST	REVISIONS			
P	LTR	DESCRIPTION	DATE	DWN	APVD
A		EBD0-0035-03	09FEB04	RS	FWK

NOTES:

- 1 SINGLE PACK IN ACCORDANCE WITH SPEC 107-3275
- 2 100 TRAY PACK IN ACCORDANCE WITH SPEC 107-3275
- 3 0.08µm Au PLATING OVER 1.27µm Ni PLATING
- 4 0.08µm Au PLATING OVER 1.27µm Ni PLATING OVER 0.76µm Cu PLATING
- 5 0.76µm Au PLATING OVER 1.27µm Ni PLATING OVER 0.76µm Cu PLATING
- 6 PASSIVATED (GOLD PLATED CABLE ENTRY)
- 7 FOR TECHNICAL DATA REFER TO YOUR LOCAL TYCO ELECTRONICS SALES OFFICE
- 8 ALL DIMENSIONS ARE NOMINAL FOR REFERENCE ONLY UNLESS OTHERWISE STATED

RECOMMENDED CABLE STRIPPING DIM'S



QTY	1	1	-	-	-	-	MATERIAL	DESCRIPTION	ITEM						
							BRASS	CAP	8						
			1	1	-	-	STAINLESS STEEL	CAP	8						
						1	1	1	1	STAINLESS STEEL	CAP	8			
			1	1	-	-	BRASS	CHASSIS	7						
						1	1	-	-	STAINLESS STEEL	CHASSIS	7			
						1	1	1	1	1	1	1	STAINLESS STEEL	CHASSIS	7
			1	1	1	1	1	1	1	BRASS	CENTER CONTACT	6			
			1	1	-	-	BRASS	BODY	5						
						1	1	-	-	STAINLESS STEEL	BODY	5			
						1	1	-	-	STAINLESS STEEL	BODY	5			
			1	1	1	1	1	1	1	STAINLESS STEEL	CIRCLIP	4			
			1	1	1	1	1	1	1	SILICON	GASKET	3			
			1	1	1	1	1	1	1	PTFE	INSULATOR	2			
			1	1	-	-	BRASS	SHELL	1						
						1	1	-	-	STAINLESS STEEL	SHELL	1			
						1	1	-	-	STAINLESS STEEL	SHELL	1			
	3--1	3--0	2--1	2--0	1--1	1--0	MATERIAL	DESCRIPTION	ITEM						
	△	△	△	△	△	△									

THIS DRAWING IS A CONTROLLED DOCUMENT.

DIMENSIONS: mm	TOLERANCES UNLESS OTHERWISE SPECIFIED: 0 PLC ± - 1 PLC ± - 2 PLC ± - 3 PLC ± - 4 PLC ± - ANGLES ± -	DWN R. SMITH 09FEB04	APVD S. PARLOW 09FEB04	TYCO Electronics	Tyco Electronics Corporation Bideford, UK, EX39 4HE
MATERIAL SEE TABLE	FINISH -	APVD E. WHEELER-KING 09FEB04	NAME SMA RIGHT ANGLE PLUG DIRECT SOLDER CAPTIVE CONTACT RG402/U	SIZE A3	CAGE CODE 00779
		APPLICATION SPEC 108-3460	DRAWING NO 1478905	RESTRICTED TO	
		WEIGHT -	CUSTOMER DRAWING	SCALE 1:1	SHEET 1 OF 1