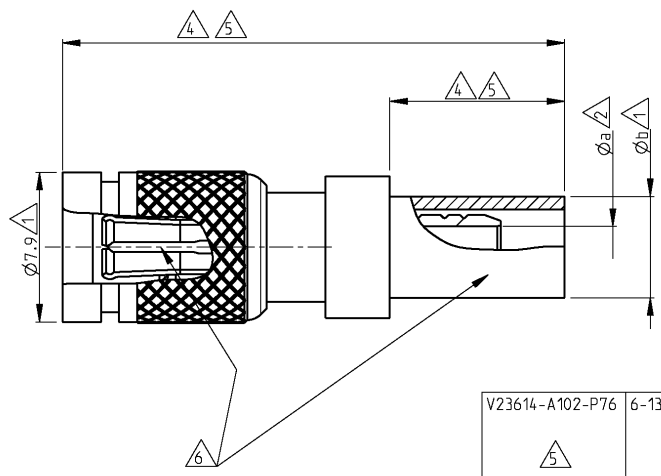


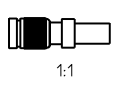
THIS DRAWING IS UNPUBLISHED. RELEASED FOR PUBLICATION 2000  
 © COPYRIGHT 2000 BY TYCO ELECTRONICS CORPORATION. ALL RIGHTS RESERVED.

LOC	DIST	REVISIONS				
P	LTR	DESCRIPTION	DATE	DWN	APVD	
A1	SR10-0445-02		17OCT2002	KM	RL	
B	ECR-08-002004		23JAN2008	MS	DB	
B1	ECR-08-005555		03MAR08	MS	DB	
B2	ECR-09-004445		25FEB2009	MG	DB	
B3	REVISED PER ECO-10-000445		12JAN10	KK	AEG	



- 7 OBSOLETE PARTS: OBSOLETE CIS STREAMLINING PER D.RENAUD/D.SINISI
- 6 Supplied as loose part
- 5 Length of ferrule is 9.2 max  
Complete length of connector = 26 max
- 4 Length of ferrule is 12.2 max  
Complete length of connector = 29 max
- 3 Mating face according to DIN 47297 and CECC 22230
- 2 Minimum dimension
- 1 Maximum dimension

Old Nr	TE Nr	Cable Type	Dim a	Dim b	Appl. spec.	Description	Material	Plating
V23614-A102-P76	6-1393670-4	02Y(ST)CY 0.45/2.0	2.15	5.2	114-71009	Dielectric Outer Con.	PTFE CuBe/ Bronze	- min. 0.2 μm Au over PdNi in contact area
V23614-A102-P57	6-1393670-2	RG179 B/U	1.7	3.6	114-71009	Dielectric Outer Con.	PTFE CuBe/ Bronze	- min. 0.2 μm Au over PdNi in contact area
V23614-A102-P34A	5-1393670-9	TR-SP127	2.35	6.4	114-71009	Dielectric Outer Con.	PTFE CuBe/ Bronze	- min. 0.2 μm Au over PdNi in contact area
V23614-A102-P24	5-1393670-7	R1-T2.0 Li 75K	2.15	5.2	114-71009	Dielectric Outer Con.	PTFE CuBe/ Bronze	- min. 0.2 μm Au over PdNi in contact area
						Center Con.	Cu Be Brass	min. 0.1 μm Au over min. 2 μm NiP



DIMENSIONS: mm		TOLERANCES UNLESS OTHERWISE SPECIFIED:		DWN MOROBE 2APR2001 CHK MATTHEUW 5APR2001 APVD BOZZER 5APR2001		Tyco Electronics Tyco Electronics CH - Switzerland - Lugano	
0 PLC ± 1 PLC ±0.5 2 PLC ±0.13 3 PLC ±0.013 4 PLC ±0.0001 ANGLES ±				PRODUCT SPEC 108-71032		NAME CABLE PLUG SNAP-ON COUPLING 1.0/2.3 75 Ohm	
MATERIAL -		FINISH -		APPLICATION SPEC SEE TABLE		SIZE CASE CODE DRAWING NO RESTRICTED TO A 3 00779 C-5-1393670-7 -	
				WEIGHT -		SCALE 5:1 SHEET 1 of 3 REV B3	

AMP 1470-19 REV 31MAR2000

4


3

2

1

THIS DRAWING IS UNPUBLISHED.		RELEASED FOR PUBLICATION		2000		LOC		DIST		REVISIONS											
COPYRIGHT 2000 BY TYCO ELECTRONICS CORPORATION, ALL RIGHTS RESERVED.						IS		-		P		LTR		DESCRIPTION		DATE		DWN		APVD	
										-		SEE SHEET 1									
V23614-B109-P25		9-1393670-0		ST214		3.8		7.93		114-71012		Dielectric		PTFE		-					
△4												Outer Con.		CuBe/ Bronze		min. 0.2 μm Au over PdNi in contact area					
												Center Con.		Cu Be Brass		min. 0.1 μm Au over min. 2 μm NiP					
V23614-B109-P23		8-1393670-9		ST212		2.15		4.45		114-71012		Dielectric		PTFE		-					
△5												Outer Con.		CuBe/ Bronze		min. 0.2 μm Au over PdNi in contact area					
												Center Con.		Cu Be Brass		min. 0.1 μm Au over min. 2 μm NiP					
V23614-B102-P76		8-1393670-8		02Y(ST)CY 0.45/2.0		2.15		5.2		114-71009		Dielectric		PTFE		-					
△5												Outer Con.		CuBe/ Bronze		min. 0.2 μm Au over PdNi in contact area					
												Center Con.		Cu Be Brass		min. 0.1 μm Au over min. 2 μm NiP					
V23614-A109-P25		6-1393670-7		ST214		3.8		7.93		114-71012		Dielectric		PTFE		-					
△4		△7										Outer Con.		CuBe/ Bronze		min. 0.2 μm Au over PdNi in contact area					
												Center Con.		Cu Be Brass		min. 0.1 μm Au over min. 2 μm NiP					
V23614-A109-P23A		6-1393670-6		ST212		2.15		4.45		114-71012		Dielectric		PTFE		-					
△5												Outer Con.		CuBe/ Bronze		min. 0.2 μm Au over PdNi in contact area					
												Center Con.		Cu Be Brass		min. 0.1 μm Au over min. 2 μm NiP					
V23614-A109-P23		6-1393670-5		ST212		2.15		4.45		114-71012		Dielectric		PTFE		-					
△5												Outer Con.		CuBe/ Bronze		min. 0.2 μm Au over PdNi in contact area					
												Center Con.		Cu Be Brass		min. 0.1 μm Au over min. 2 μm NiP					
Old Nr		TE Nr		Cable Type		Dim a		Dim b		Appl. Spec.		Description		Material		Plating					

<small>THIS DRAWING IS A CONTROLLED DOCUMENT FOR TYCO ELECTRONICS CORPORATION IT IS SUBJECT TO CHANGE AND THE CONTROL AND DISTRIBUION ORGANIZATION SHOULD BE CONTACTED FOR THE LATEST REVISION.</small>		DWN 2APR2001 MOROBE CHK 5APR2001 MATTHEEWS APVD BOZZER 5APR2001		Tyco Electronics CH - Switzerland - Lugano	
DIMENSIONS: mm		TOLERANCES UNLESS OTHERWISE SPECIFIED:		NAME CABLE PLUG SNAP-ON COUPLING 1.0/2.3 75 Ohm	
		0 PLC ± 1 PLC ±0.5 2 PLC ±0.13 3 PLC ±0.013 4 PLC ±0.0001 ANGLES ±		PRODUCT SPEC 108-71032	
MATERIAL -		FINISH -		APPLICATION SPEC SEE TABLE	
				SIZE 3 CASE CODE 00779 DRAWING NO C-5-1393670-7	
				RESTRICTED TO SCALE 5:1 SHEET 2 of 3 REV B3	

AMP 1470-19 REV 31MAR2000

4

3

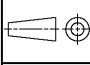
2

1

THIS DRAWING IS UNPUBLISHED.		RELEASED FOR PUBLICATION		2000	
COPYRIGHT 2000		BY TYCO ELECTRONICS CORPORATION, ALL RIGHTS RESERVED.			

LOC	DIST	REVISIONS					
P	LTR	DESCRIPTION	DATE	DWN	APVD		
-		SEE SHEET 1	-	-	-		

5	619353-1	RG179D	1.7	4.45	114-71009	Dielectric	PTFE	-	
						Outer Con.	CuBe/ Bronze	min. 0.2 μm Au over PdNi in contact area	
						Center Con.	Cu Be Brass	min. 0.1 μm Au over min. 2 μm NiP	
5	619086-1	02Y12YC(mS) C6Y 0.45/2.0 BT 3002 TZC 750 24	2.1	5.2	114-71009	Dielectric	PTFE	-	
	7					Outer Con.	CuBe/ Bronze	min. 0.2 μm Au over PdNi in contact area	
						Center Con.	Cu Be Brass	min. 0.1 μm Au over min. 2 μm NiP	
5	V23614-C109-P23	9-1393670-5	ST212	2.15	4.45	114-71012	Dielectric	PTFE	-
						Outer Con.	CuBe/ Bronze	min. 0.2 μm Au over PdNi in contact area	
						Center Con.	Cu Be Brass	min. 0.1 μm Au over min. 2 μm NiP	
5	V23614-C102-P76	9-1393670-4	02y(st)cy 0.45/2.0	2.15	5.2	114-71009	Dielectric	PTFE	-
						Outer Con.	CuBe/ Bronze	min. 0.2 μm Au over PdNi in contact area	
						Center Con.	Cu Be Brass	min. 0.1 μm Au over min. 2 μm NiP	
Old Nr	TE Nr	Cable Type	Dim a	Dim b	Appl. Spec.	Description	Material	Plating	

<small>THIS DRAWING IS A CONTROLLED DOCUMENT FOR TYCO ELECTRONICS CORPORATION IT IS SUBJECT TO CHANGE AND THE CONTROLING ENGINEERING ORGANIZATION SHOULD BE CONTACTED FOR THE LATEST REVISION.</small>		DWN 2APR2001 MOROBE CHK 5APR2001 MATTHEUWS APVD 5APR2001 BOZZER	Tyco Electronics CH - Switzerland - Lugano
DIMENSIONS: mm	TOLERANCES UNLESS OTHERWISE SPECIFIED: 0 PLC ± 1 PLC ±0.5 2 PLC ±0.13 3 PLC ±0.013 4 PLC ±0.0001 ANGLES ±	PRODUCT SPEC 108-71032 APPLICATION SPEC SEE TABLE	NAME CABLE PLUG SNAP-ON COUPLING 1.0/2.3 75 Ohm
	MATERIAL - FINISH -	WEIGHT - SIZE A3 CAGE CODE 00779 DRAWING NO C-5-1393670-7	RESTRICTED TO SCALE 5:1 SHEET 3 of 3 REV B3