

4

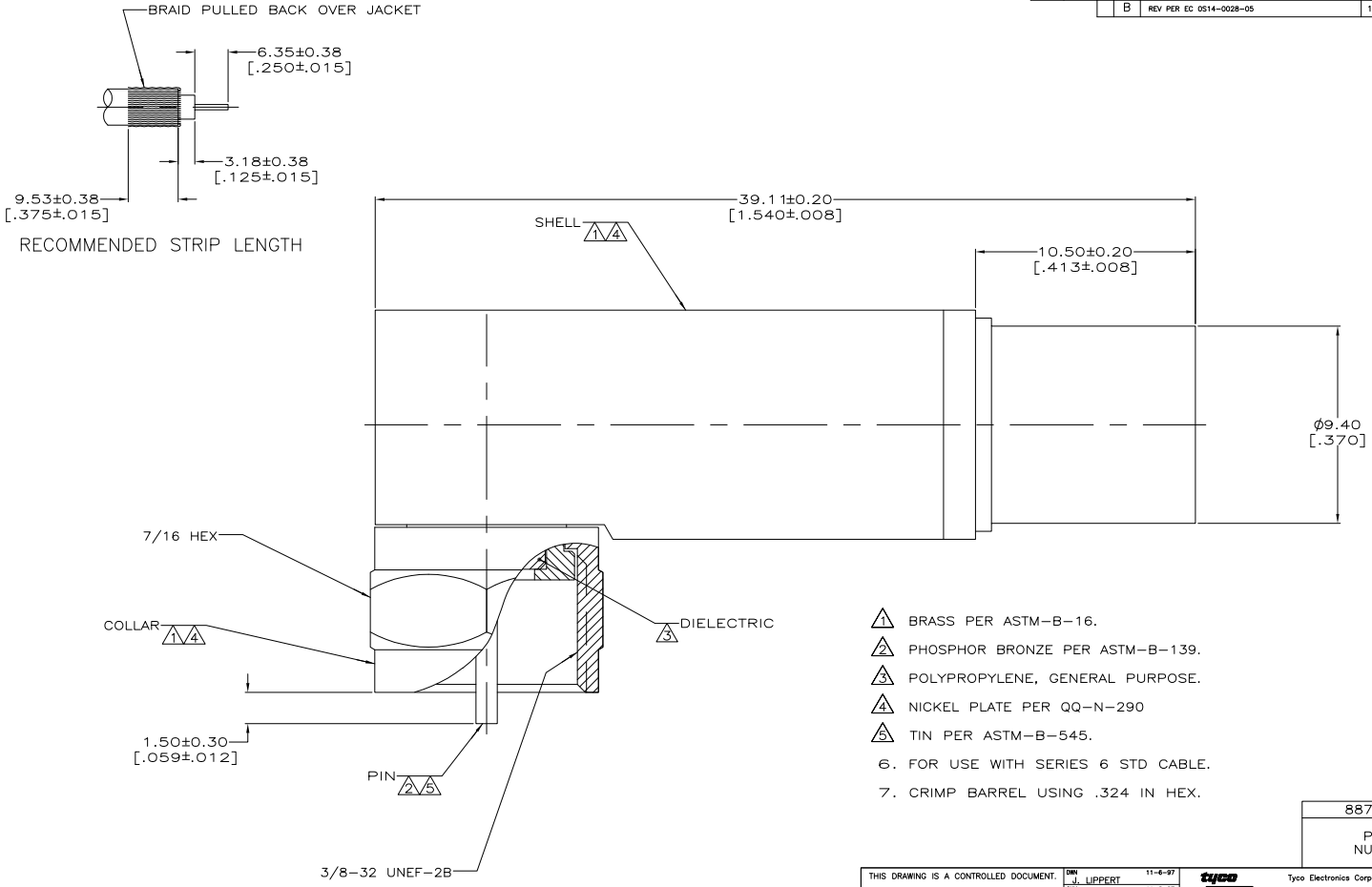
3

2

1

THIS DRAWING IS UNPUBLISHED. RELEASED FOR PUBLICATION  
 BY TYCO ELECTRONICS CORPORATION. ALL RIGHTS RESERVED.

LOC		DIST		REVISIONS			
F	LR	DATE	BY	APP'D	DESCRIPTION	DATE	BY
AF	49					18DEC05	BC KW
					REV PER EC 0514-0028-05		



- △ BRASS PER ASTM-B-16.
- △ PHOSPHOR BRONZE PER ASTM-B-139.
- △ POLYPROPYLENE, GENERAL PURPOSE.
- △ NICKEL PLATE PER QQ-N-290
- △ TIN PER ASTM-B-545.
- 6. FOR USE WITH SERIES 6 STD CABLE.
- 7. CRIMP BARREL USING .324 IN HEX.

887098-1  
 PART NUMBER

THIS DRAWING IS A CONTROLLED DOCUMENT.		DRN J. LIPPERT 11-6-97	Tyco Electronics Corporation Harrisburg, PA 17105-3608	
DIMENSIONS: mm [INCHES]		CHK C. MICHAEL 11-6-97	PLUG, CABLE MT, R/A, F SERIES	
TOLERANCES UNLESS OTHERWISE SPECIFIED:		APP'D J. LIPPERT 11-6-97	RESTRICTED TO	
0 PLC	± .005	APPLICATION SPEC	SIZE	CAGE CODE
1 PLC	± .005	PRODUCT SPEC	A2	00779
2 PLC	± 0.1%(.005)	WEIGHT	C=	887098
3 PLC	± .005	CUSTOMER DRAWING	SCALE	8:1
4 PLC	± .005	SEE NOTES 1 THRU 3	SHEET	1 of 1
ANGLES	± .005	SEE NOTES 4 & 5	REV	B

AMP 1471-9 REV 31MM2000

887098-1

A