

4

3

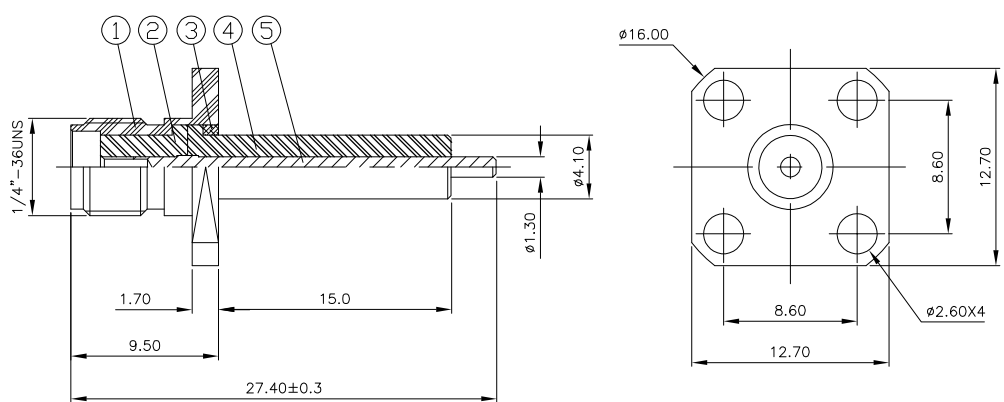
2

1

THIS DRAWING IS UNPUBLISHED. RELEASED FOR PUBLICATION APRIL, 2004.  
 © COPYRIGHT 2004 BY TYCO ELECTRONICS CORPORATION. ALL RIGHTS RESERVED.

LOC	DIST	REVISIONS			
P	LTR	DESCRIPTION	DATE	DWN	APVD
	A	EBDO-0035-03	06FEB04	RS	FWK

- NOTES:
- 1 SINGLE PACK IN ACCORDANCE WITH SPEC 107-3275
  - 2 100 TRAY PACK IN ACCORDANCE WITH SPEC 107-3275
  - 3 0.08μm Au PLATING OVER 1.27μm Ni PLATING
  - 4 0.08μm Au PLATING OVER 1.27μm Ni PLATING OVER 0.76μm Cu PLATING
  - 5 0.76μm Au PLATING OVER 1.27μm Ni PLATING OVER 0.76μm Cu PLATING
  - 6 PASSIVATED
  - 7 WHITE BRONZE PLATING
  - 8 FOR TECHNICAL DATA REFER TO YOUR LOCAL TYCO ELECTRONICS SALES OFFICE
  - 9 ALL DIMENSIONS ARE NOMINAL FOR REFERENCE ONLY UNLESS OTHERWISE STATED



QTY	QTY	QTY	QTY	QTY	QTY	QTY	QTY	QTY	QTY	MATERIAL	DESCRIPTION	ITEM
1	1	1	1	1	1	1	1	1	1	BERYLLIUM COPPER	CENTER SOCKET	5
1	1	1	1	1	1	1	1	1	1	PTFE	INSULATOR	4
1	1	-	-	-	-	-	-	-	-	BRASS	WASHER	3
-	-	1	1	-	-	-	-	-	-	BRASS	WASHER	3
-	-	-	-	1	1	-	-	-	-	STAINLESS STEEL	WASHER	3
-	-	-	-	-	-	1	1	-	-	STAINLESS STEEL	WASHER	3
1	1	1	1	1	1	1	1	1	1	PTFE	INSULATOR	2
1	1	-	-	-	-	-	-	-	-	BRASS	BODY	1
-	-	1	1	-	-	-	-	-	-	BRASS	BODY	1
-	-	-	-	1	1	-	-	-	-	STAINLESS STEEL	BODY	1
-	-	-	-	-	-	1	1	-	-	STAINLESS STEEL	BODY	1
4--1	4--0	3--1	3--0	2--1	2--0	1--1	1--0	-	-	MATERIAL	DESCRIPTION	ITEM

THIS DRAWING IS A CONTROLLED DOCUMENT.

DIMENSIONS: mm	TOLERANCES UNLESS OTHERWISE SPECIFIED: 0 PLC ± - 1 PLC ± - 2 PLC ± - 3 PLC ± - 4 PLC ± - ANGLES ± -	DWN R. SMITH 06FEB04	06FEB04	<b>tyco</b> Electronics	Tyco Electronics Corporation Bideford, UK, EX39 4HE
MATERIAL SEE TABLE	FINISH -	CHK S. PARLOW 06FEB04	06FEB04	NAME E. WHEELER-KING	SMA PANEL SOCKET LAUNCHER, 4 HOLE FLANGE, CAPTIVE CONTACT
		APVD E. WHEELER-KING 06FEB04	06FEB04	PRODUCT SPEC -	SIZE A3
		APPLICATION SPEC -	06FEB04	WEIGHT -	CAGE CODE 00779
		CUSTOMER DRAWING	06FEB04	DRAWING NO 1478967	RESTRICTED TO -
				SCALE 1:1	SHEET 1 OF 1
					REV A