

4

3

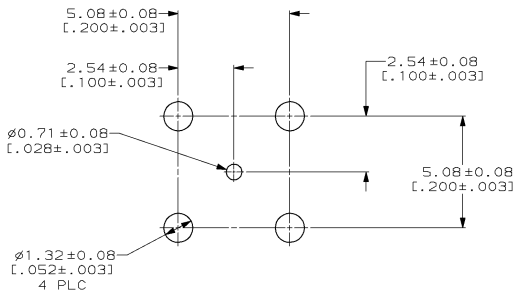
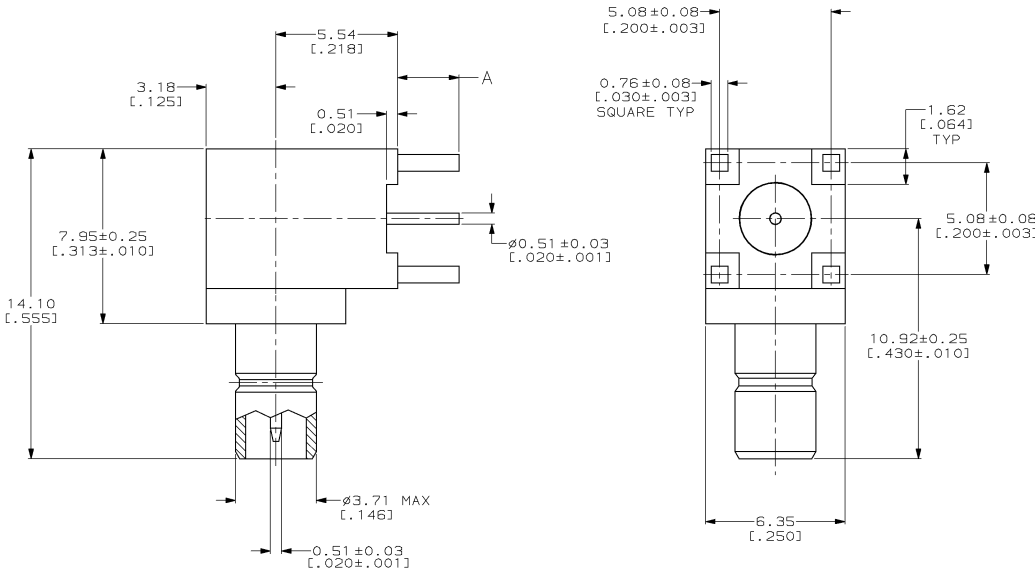
2

1

THIS DRAWING IS UNPUBLISHED. RELEASED FOR PUBLICATION BY AMP INCORPORATED. ALL RIGHTS RESERVED.

LOC	QTY	REV	DESCRIPTION	DATE	BY	APP'D
AJ	16	0	RELEASED PER 95-3386-062	21 JUN 95	BM	GM

- △ MATERIALS:  
LEG BODY: BRASS PER QQ-B-626.  
FRONT BODY: BRASS PER QQ-B-626.  
CONTACT: BRASS PER QQ-B-626.  
DIELECTRICS: TEFLON PER ASTM-D-1710.
- △ FINISHES:  
CONTACT: GOLD PER MIL-G-45204.  
LEG BODY: NICKEL PER QQ-N-290.  
FRONT BODY: GOLD PER MIL-G-45204.
- △ FINISHES:  
CONTACT: GOLD PER MIL-G-45204.  
LEG BODY: NICKEL PER QQ-N-290.  
FRONT BODY: NICKEL PER QQ-N-290.



RECOMMENDED PCB CPNFIGURATION

2.11 [.083]	△	415490-4
2.11 [.083]	△	415490-3
2.79 [.110]	△	415490-2
2.79 [.110]	△	415490-1

A	FINISH	PART NUMBER

THIS DRAWING IS A CONTROLLED DOCUMENT.		DWN: S. ROYER 22APR95 CHK: G. MICHAEL 21JUN95 APP'D: S. MICHAEL PRODUCT SPEC: - APPLICATION SPEC: - WEIGHT: - CUSTOMER DRAWING	<b>AMP</b> AMP Incorporated Harrisburg, PA 17105-3608
DIMENSIONS: mm (INCHES) 0 PLC ±.01 0 PLC ±.013 (1.005) 0 PLC ±.01 0 PLC ±.01 H. PLC ANGLES ±.01	DIMENSIONS: mm (INCHES) 0 PLC ±.01 0 PLC ±.013 (1.005) 0 PLC ±.01 0 PLC ±.01 H. PLC ANGLES ±.01	NAME: S. MICHAEL DATE: 21JUN95 DRAWING NO: A2100779 SCALE: B:1 SHEET: 1 OF 1 REV: 0	<b>JACK, RTANG, PCB, 75 OHM, MINI-SMB</b>

95-3386-062

A