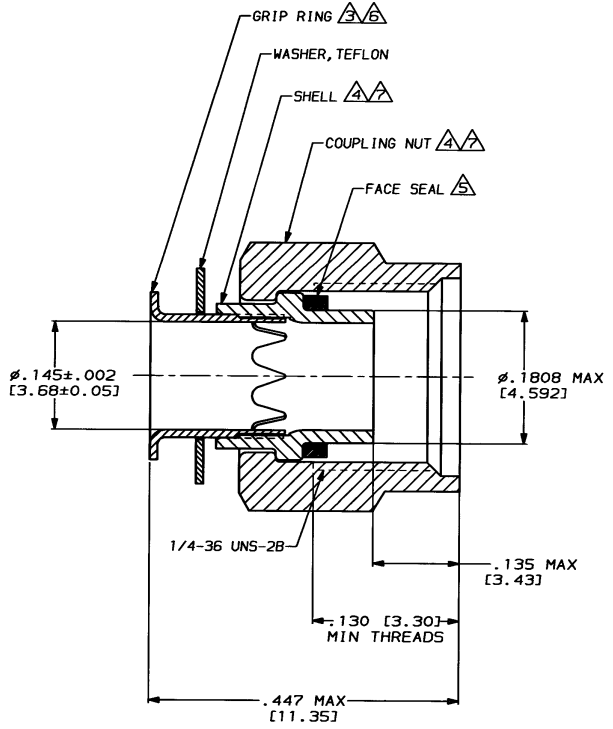
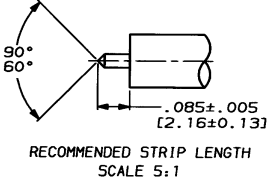
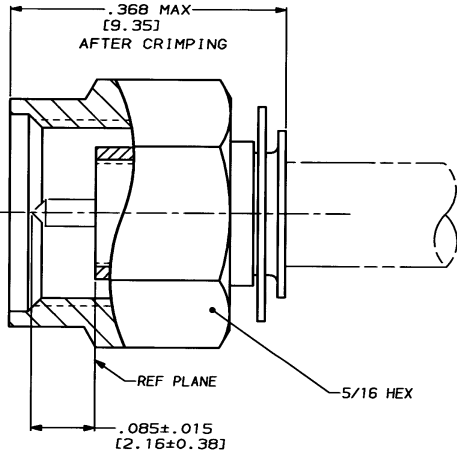


4 3
 DRAWING MADE IN THIRD ANGLE PROJECTION
 THIS DRAWING IS UNPUBLISHED. RELEASED FOR PUBLICATION
 © COPYRIGHT 19 BY AMP INCORPORATED. ALL INTERNATIONAL RIGHTS RESERVED.

PROD LOC		DIST		REVISIONS				DATE	APPO
CODE	DF	X0	P	ZONE	LTR	DESCRIPTION			
3346	DF	X0			N	REV & RDWN; 0600-415-93 CT	8-93	JC	



- FOR USE WITH RG-402/U, .141 [3.58] SEMI-RIGID CABLE.
- SEE I.S. 6788.
- BRASS PER MIL-C-50.
- STAINLESS STEEL PER ASTM-A-582
- SILICONE RUBBER PER ZZ-R-765.
- NICKEL PLATE PER QQ-N-290.
- PASSIVATION PER QQ-P-35.
- .500 [12.70] MIN LENGTH OF STRAIGHT CABLE REQUIRED TO APPLY THE CONNECTOR.
- MANUFACTURING: 00779 M39012/92B3101.

THIS DRAWING IS A CONTROLLED DOCUMENT FOR AMP INCORPORATED. IT IS SUBJECT TO CHANGE AND THE CONTROLLING ENGINEERING ORGANIZATION SHOULD BE CONTACTED FOR THE LATEST REVISION.

DO NOT SCALE PRINT. UNLESS SPECIFIED DIMENSIONS IN INCHES [mm] TOLERANCES ON: 2 PLC DEC ± - 3 PLC DEC ± - ANGLES ± -		DR 8-2-93 C. C. THOMAS		AMP Incorporated Harrisburg, PA 17105-3608	
SEE CALLOUTS		CHK 8-17-93 J. CABARLO			
MATERIAL		APPD 8-17-93 C. C. THOMAS		NAME	
SEE CALLOUTS		PRODUCT SPEC 108-12055		PLUG, MIL-B, SERIES SMA, RF	
FINISH		APPLICATION SPEC -		SIZE	DRAWING NO
SEE CALLOUTS		WEIGHT .063 OZ		00779	0-227531-1
		SCALE 10:1		SHEET 1 OF 1	

AMP 1471-B REV 3-92
 02 AUG 1993 12:25:17 AMP16412 001208-U CORE PROD-U, RF

CUSTOMER DRAWING