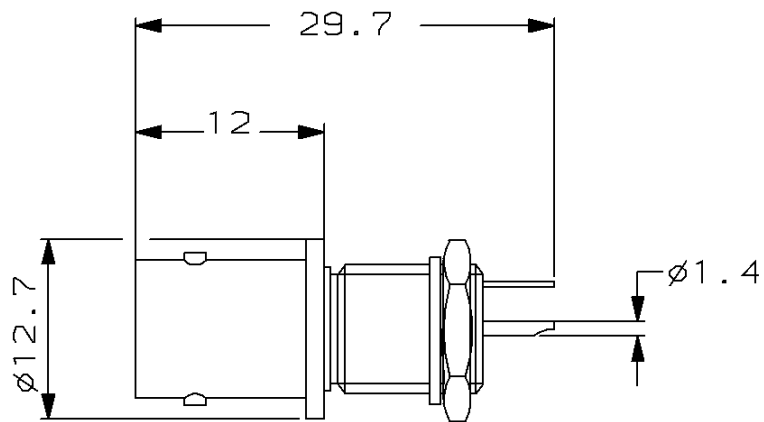


LOC F	DIST 7	REVISIONS				
P	LTR REV	DESCRIPTION MODIFICATIONS	DATE	DWN DESS.	APVD APP.	
	-	-	-	-	-	



P/N AMP	IMPEDANCE
134862-1	50Ω

RELEASED FOR PUBLICATION

THIS DRAWING IS UNPUBLISHED.  
DIFFUSION RESEINTE AMP

BY AMP INCORPORATED. ALL RIGHTS RESERVED.  
TOUS DROITS RESERVES.

© COPYRIGHT 19

DIMENSIONS: mm		DWN/DESSINE J. ALVES 16-DEC-96	MATERIAL MATIERE -	FINISH FINITION -		
TOLERANCES UNLESS OTHERWISE SPECIFIED, TOLERANCES NON SPECIFIEES (SUIV NB DE DECIMALES): 0 PL C / DEC ± 1 PL C / DEC ±- 2 PL C / DEC ± 3 PL C / DEC ± 4 PL C / DEC ± ANGLES ±-		CHK/VERIFIE Y. PETRONIN 26-FEB-97	<b>AMP</b> AMP DE FRANCE 95301 PONTOISE			
		APVD/APPROUVE Y. PETRONIN 26-FEB-97	NAME TITRE EMBASE DROITE ISOLEE FEMELLE TRAVERSEE A COLLERETTE CYLINDRIQUE			
		PRODUCT SPEC SPEC. PRODUIT -	SIZE FORMAT A4	CAGE CODE 00779	DRAWING NO TITRE C=134862	RESTRICTED TO -
		APPLICATION SPEC SPEC. APPLICATION -	WEIGHT MASSE APPROX.		UNIQUEMENT POUR REFERENCE	SCALE ECHELLE 1:1
CUSTOMER DRAWING/PLAN CLIENT						
			SHEET FEUILLE 1 OF 1 DE 1	REV 0		