

4

3

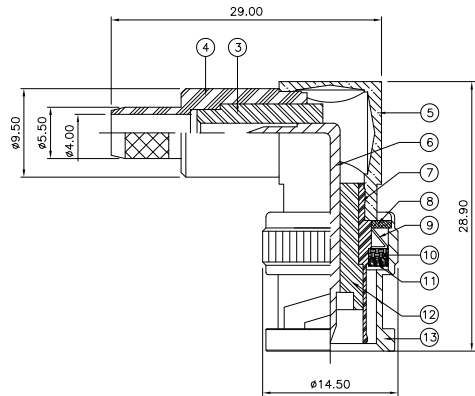
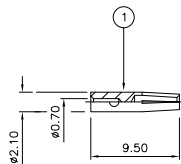
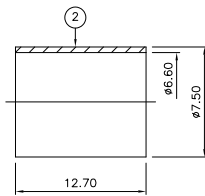
2

1

THIS DRAWING IS UNPUBLISHED. RELEASED FOR PUBLICATION JAN. 2006.  
 © COPYRIGHT 2006 BY TYCO ELECTRONICS CORPORATION. ALL RIGHTS RESERVED.

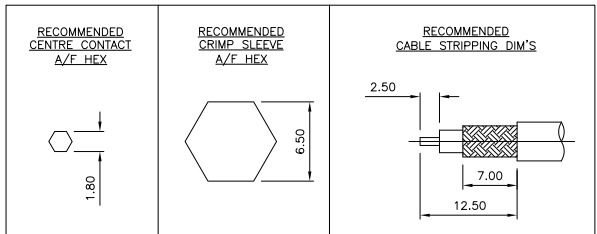
LOC	DIST	REVISIONS			
P	LTR	DESCRIPTION	DATE	DWN	APVD
D		ECO-09-016840	10AUG2009	AM	BOB

- NOTES:**
- 1. PACK IN ACCORDANCE WITH AMP SPEC 107-3275
  - 2. 100 TRAY PACK IN ACCORDANCE WITH AMP SPEC 107-3275
  - 3. Au PLATING
  - 4. Ni PLATING
  - 5. THIS ITEM MUST BE WHITE
  - 6. HAND TOOL : 9-1478240-0
  - 7. DIE SET : 9-1478242-0
  - 8. **ELECTRICAL CHARACTERISTICS**  
 FREQUENCY RANGE: DC - 2 GHz  
 NOMINAL IMPEDANCE: 75 Ohm  
 INSULATION RESISTANCE: 5000 MOhm  
 WORKING VOLTAGE: 500 Volts RMS at Sea Level  
 DIELECTRIC WITHSTAND VOLTAGE: 1500 Volts RMS Max  
 CONTACT RESISTANCE:  
 CENTRE CONTACT: 1.50 mOhm Max  
 OUTER CONTACT: 0.20 mOhm Max  
 VSWR @ 2GHz: 1.25:1 Max  
 INSERTION LOSS dB @ x 2 GHz: 0.30 Max
  - 9. **MECHANICAL CHARACTERISTICS**  
 COUPLING RETENTION FORCE: 445N Min  
 CABLE RETENTION FORCE: 170N Min  
 DURABILITY: 500 Cycles Min
  - 10. **ENVIRONMENTAL CHARACTERISTICS**  
 OPERATING TEMPERATURE: -65 to +165 DegC



OBSOLETE

QTY	DESCRIPTION	ITEM
1	BRASS	SHELL
1	PTFE	INSULATION
1	SILICONE RUBBER	GASKET
1	BRASS	RETAINING RING
1	SPRING STEEL	SPRING
1	BRASS	WASHER
1	BRASS	BODY II
1	BRASS	CONTACT II
1	BRASS	BODY I
1	BRASS	CHASSIS
1	PTFE	INSULATION
1	BRASS	FERRULE
1	BRASS	CONTACT I
6-0	MATERIAL	DESCRIPTION
1-0		ITEM



THIS DRAWING IS A CONTROLLED DOCUMENT.

DIMENSIONS:	TOLERANCES UNLESS OTHERWISE SPECIFIED:
mm	0 PLC ± .05
	1 PLC ± .05
	2 PLC ± .05
	3 PLC ± .05
	4 PLC ± .05
	ALL ANGLES ± .05
MATERIAL	FINISH
SEE TABLE	-

DWN	J. SANDWELL	25JAN06
CHK	S. PARLOW	25JAN06
APVD	F. WHEELER-KING	25JAN06
NAME	BNC ELBOW PLUG CRIMP 75 OHM	
PRODUCT SPEC	RG59B/U, 62A/U, 140/U, 210/U, URM90, KX6A, KX25, KX52, KX53	
APPLICATION SPEC	411-3247	
WEIGHT		
SIZE	A3	
CAGE CODE	00779	
DRAWING NO	1337525	
RESTRICTED TO		
CUSTOMER DRAWING	SCALE	NTS
SHEET	1	OF 1
REV		D