

4

3

2

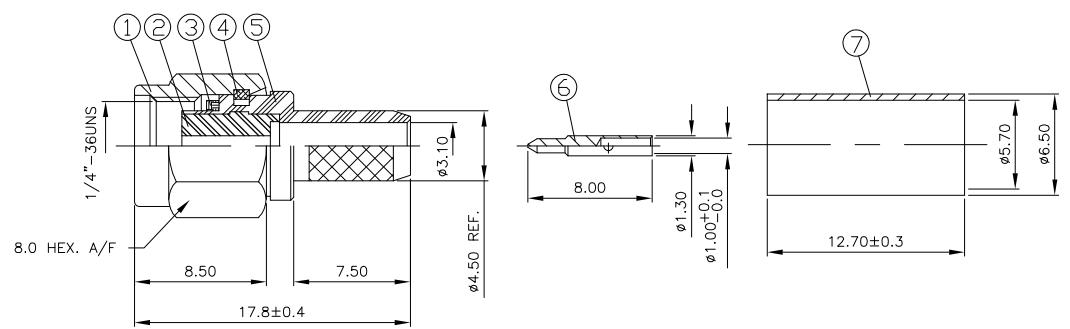
1

THIS DRAWING IS UNPUBLISHED. RELEASED FOR PUBLICATION APRIL, 2004.
 © COPYRIGHT 2004 BY TYCO ELECTRONICS CORPORATION. ALL RIGHTS RESERVED.

LOC	DIST	REVISIONS			
P	LTR	DESCRIPTION	DATE	DWN	APVD
E	B	A	EBD0-0035-03	03FEB04	RS FWK

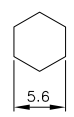
NOTES:

- 1 SINGLE PACK IN ACCORDANCE WITH SPEC 107-3275
- 2 100 TRAY PACK IN ACCORDANCE WITH SPEC 107-3275
- 3 0.08µm Au PLATING OVER 1.27µm Ni PLATING
- 4 0.08µm Au PLATING OVER 1.27µm Ni PLATING OVER 0.76µm Cu PLATING
- 5 0.76µm Au PLATING OVER 1.27µm Ni PLATING OVER 0.76µm Cu PLATING
- 6 PASSIVATED
- 7 WHITE BRONZE PLATING
- 8 PLATING AS PER BODY, EXCEPT FOR PASSIVATED WHICH IS NICKEL PLATED
- 9 HAND TOOL 9-1478240-0
- 10 DIE SET 9-1478242-0
- 11 FOR TECHNICAL DATA REFER TO YOUR LOCAL TYCO ELECTRONICS SALES OFFICE
- 12 ALL DIMENSIONS ARE NOMINAL FOR REFERENCE ONLY UNLESS OTHERWISE STATED

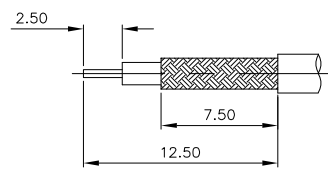


QTY	1	2	3	4	5	6	7	8	9	10	11	12	MATERIAL	DESCRIPTION	ITEM
1	1	1	1	1	1	1	1	1	1	1	1	1	BRASS	CRIMP SLEEVE	7
1	1	1	1	1	1	1	1	1	1	1	1	1	BRASS	CENTER CONTACT	6
1	1	-	-	-	-	-	-	-	-	-	-	-	BRASS	BODY	5
-	-	1	1	-	-	-	-	-	-	-	-	-	BRASS	BODY	5
-	-	-	-	1	1	-	-	-	-	-	-	-	STAINLESS STEEL	BODY	5
-	-	-	-	-	-	1	1	-	-	-	-	-	STAINLESS STEEL	BODY	5
1	1	1	1	1	1	1	1	1	1	1	1	1	STAINLESS STEEL	CIRCLIP	4
1	1	1	1	1	1	1	1	1	1	1	1	1	SILICON	GASKET	3
1	1	1	1	1	1	1	1	1	1	1	1	1	PTFE	INSULATOR	2
1	1	-	-	-	-	-	-	-	-	-	-	-	BRASS	SHELL	1
-	-	1	1	-	-	-	-	-	-	-	-	-	BRASS	SHELL	1
-	-	-	-	1	1	-	-	-	-	-	-	-	STAINLESS STEEL	SHELL	1
-	-	-	-	-	-	1	1	-	-	-	-	-	STAINLESS STEEL	SHELL	1
4--1	4--0	3--1	3--0	2--1	2--0	1--1	1--0	-	-	-	-	-	MATERIAL	DESCRIPTION	ITEM

RECOMMENDED CRIMP SLEEVE A/F HEX



RECOMMENDED CABLE STRIPPING DIM'S



THIS DRAWING IS A CONTROLLED DOCUMENT.

DIMENSIONS: mm	TOLERANCES UNLESS OTHERWISE SPECIFIED:	DWN R. SMITH 03FEB04	CHK S. PARLOW 03FEB04	Tyco Electronics Corporation Bideford, UK, EX39 4HE	
0 PLC ± -	1 PLC ± -	APVD F. WHEELER-KING 03FEB04	NAME S. WHEELER-KING	SMA STRAIGHT PLUG NON CAPTIVE SOLDER CONTACT	
2 PLC ± -	3 PLC ± -	PRODUCT SPEC 108-3460	APPLICATION SPEC 411-3276	CRIMP ATTACHMENT	
4 PLC ± -	ANGLES ± -	WEIGHT -	SIZE A3	CAGE CODE 00779	DRAWING NO C-1478917
MATERIAL SEE TABLE	FINISH -	CUSTOMER DRAWING	SCALE 1:1	SHEET 1 OF 1	REV A

AMP 1470-19 REV 31MAR2000