

4

3

2

1

THIS DRAWING IS UNPUBLISHED. RELEASED FOR PUBLICATION FEB .2006.
 © COPYRIGHT 2006 BY TYCO ELECTRONICS CORPORATION. ALL RIGHTS RESERVED.

LOC	DIST	REVISIONS			
P	LTR	DESCRIPTION	DATE	DWN	APVD
	C	ECR-06-002568	15FEB06	JMS	FWK

NOTES:

- ⚠ PACK IN ACCORDANCE WITH AMP SPEC 107-3275
- ⚠ 100 TRAY PACK IN ACCORDANCE WITH AMP SPEC 107-3275
- ⚠ Au PLATING

4 ELECTRICAL CHARACTERISTICS

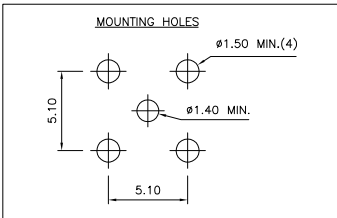
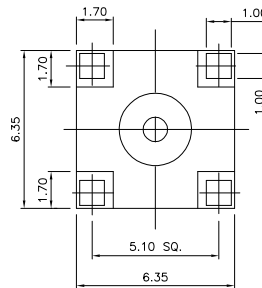
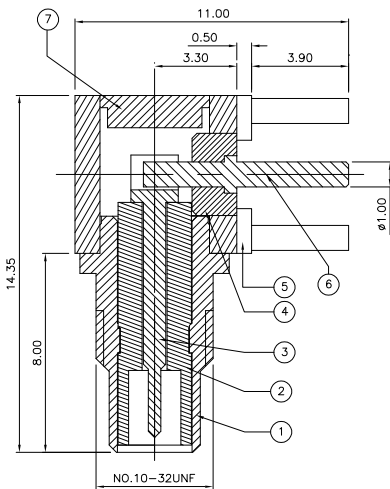
FREQUENCY RANGE: DC ~ 10 GHz
 NOMINAL IMPEDANCE: 50 Ohm
 INSULATION RESISTANCE: 1000 MOhm
 WORKING VOLTAGE: 250 Volts RMS at Sea Level
 DIELECTRIC WITHSTAND VOLTAGE: 750 Volts RMS Max
 CONTACT RESISTANCE:
 CENTRE CONTACT: 6.00 mOhm Max
 OUTER CONTACT: 1.00 mOhm Max

5 MECHANICAL CHARACTERISTICS

DURABILITY: 500 Cycles Min

6 ENVIRONMENTAL CHARACTERISTICS

OPERATING TEMPERATURE: -65 to +165 DegC



QTY	QTY PER ASSY	DESCRIPTION	ITEM
1	1	BRASS	⚠ CAP 7
1	1	BRASS	⚠ CONTACT 6
1	1	BRASS	⚠ BODY 5
1	1	PTFE	INSULATION 4
1	1	BRASS	⚠ CONTACT 3
1	1	PTFE	INSULATION 2
1	1	BRASS	⚠ BODY 1
6--0	1--0	MATERIAL	DESCRIPTION ITEM

THIS DRAWING IS A CONTROLLED DOCUMENT.

DIMENSIONS: mm

TOLERANCES UNLESS OTHERWISE SPECIFIED:
 0 PLC ± -
 1 PLC ± -
 2 PLC ± -
 3 PLC ± -
 4 PLC ± -
 ANGLES ± -

MATERIAL: SEE TABLE

FINISH: -

DWN: J. SANDWELL 15FEB06
 CHK: S. PARLOW 15FEB06
 APVD: F. WHEELER-KING 15FEB06

PRODUCT SPEC: -
 APPLICATION SPEC: -
 WEIGHT: -

CUSTOMER DRAWING

tyco Electronics Tyco Electronics Corporation
 Bideford EX39 4HE

NAME: SMC ELBOW PCB SOCKET 50 OHM

SIZE: A3 CAGE CODE: 00779 DRAWING NO: 1337610 RESTRICTED TO: -

SCALE: NTS SHEET: 1 OF 1 REV: C