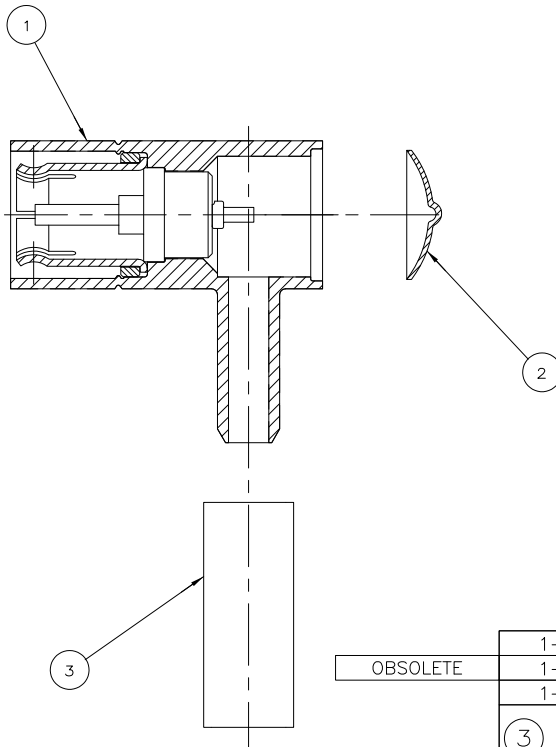


4 3 2 1

THIS DRAWING IS UNPUBLISHED. RELEASED FOR PUBLICATION  
 © COPYRIGHT - BY TYCO ELECTRONICS CORPORATION. ALL RIGHTS RESERVED.

LOC	DIST	REVISIONS			
P	LTR	DESCRIPTION	DATE	DWN	APVD
	F2	REVISED PER ECO-09-001082	14JUL2009	DW	FB

1. PARTS PACKAGED UNASSEMBLED.



	1-413889-4	414013-3	415485-2	415484-3
OBSOLETE	1-413889-3	414013-3	415485-2	415484-2
	1-413889-3	414013-3	415485-1	415484-1
(3)	FERRULE QTY=1	(2)	END CAP QTY=1	(1) PLUG ASSY QTY=1
				PART NUMBER

THIS DRAWING IS A CONTROLLED DOCUMENT.		DWN B. MOYER 18JUN96	Tyco Electronics Corporation Harrisburg, PA 17105-3608	
DIMENSIONS: INCHES		CHK G. MICHAEL 19JUN96	NAME	
TOLERANCES UNLESS OTHERWISE SPECIFIED:		APVD G. MICHAEL 19JUN96	PLUG, RIGHT ANGLE, 75 Ohm, MINI-SMB	
0 PLC ± -		PRODUCT SPEC	-	
1 PLC ± -		APPLICATION SPEC	-	
2 PLC ± -		WEIGHT	-	
3 PLC ± -		SIZE	CAGE CODE	DRAWING NO
4 PLC ± -		RESTRICTED TO	A3	00779
ANGLES ± -			©	415484
MATERIAL	FINISH	CUSTOMER DRAWING	SCALE	6:1
-	-		SHEET	1 of 1
			REV	F2