

4

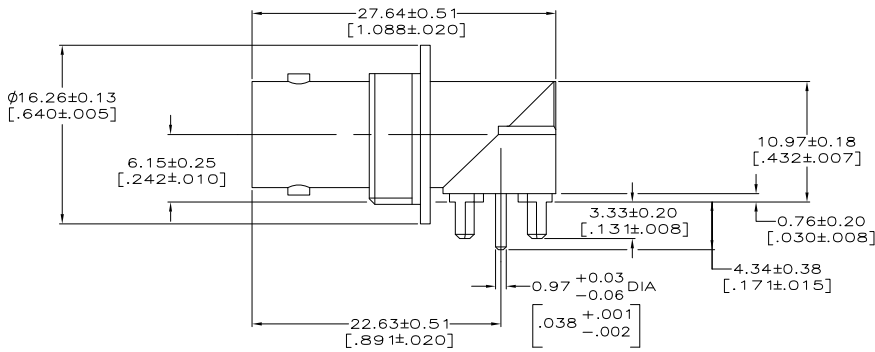
3

2

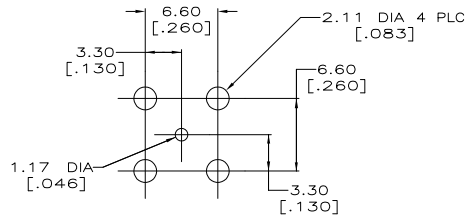
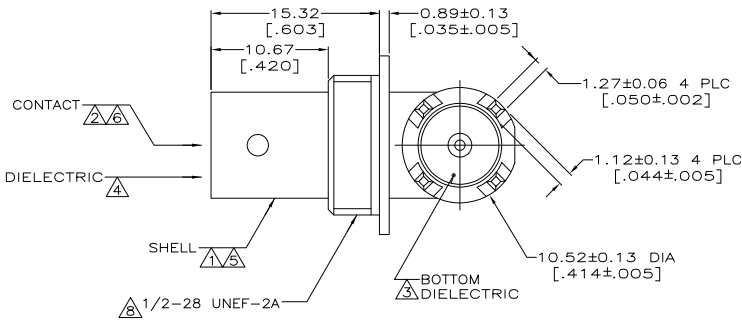
1

THIS DRAWING IS UNPUBLISHED. RELEASED FOR PUBLICATION
 © COPYRIGHT BY TYCO ELECTRONICS CORPORATION. ALL RIGHTS RESERVED.

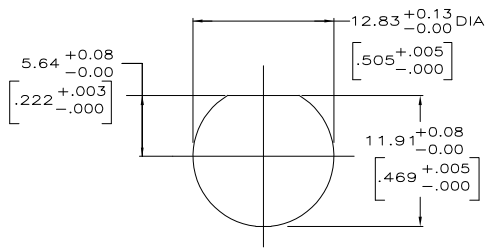
LOC	DIST	REVISIONS					
		F	LTR	DESCRIPTION	DATE	BY	APP'D
AJ	00	A		REV PER EDD 06-024121	1/29/2007	DW	JL



- 1 ZINC PER QQ-Z-363
- 2 BERYLLIUM COPPER PER ASTM-B-197
- 3 PTFE PER MIL-P-19468
- 4 POLYMETHYLPENTENE, GENERAL PURPOSE
- 5 TIN PLATE PER ASTM-B-545, 3.81 μm [.000150] MIN THICK.
- 6 GOLD PLATE PER MIL-G-45204, 0.76 μm [.000030] MINIMUM THICKNESS
- 7 INTERFACE PER MIL-C-39012
- 8 MODIFIED MAJOR DIAMETER TO 12.29 [.484]



PCB CONFIGURATION



RECOMMENDED PANEL CUTOUT

5415373-1
 PART NUMBER

THIS DRAWING IS A CONTROLLED DOCUMENT.		BY: G. ATTADIA 01FEB2005	TYCO Electronics	Tyco Electronics Corporation
		CHK: J. HAVENER 01FEB2005		Harrisburg, PA 17105-3608
DIMENSIONS: mm [INCHES]		APP: J. LIPPERT 01FEB2005	NAME: JACK, PCB, RIGHT ANGLE, 75 OHM, BNC	
MATERIAL: SEE NOTES		FINISH: SEE NOTES	APPLICATION SPEC: -	RESTRICTED TO: -
		WEIGHT: -	SIZE: A2	CAGE CODE: 00779
			DRAWING NO: C=5415373	SCALE: 4:1
				SHEET: 1 of 1
				REV: A

AMP 1471-9 REV 31MM2000

5415373

A