

4

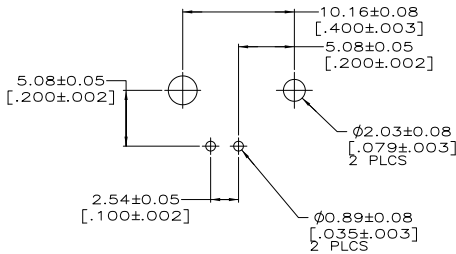
3

2

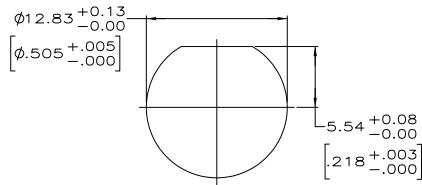
1

THIS DRAWING IS UNPUBLISHED. RELEASED FOR PUBLICATION.
 © COPYRIGHT BY TYCO ELECTRONICS CORPORATION. ALL RIGHTS RESERVED.

LOC	DIST	REVISIONS					
		F	LNK	DESCRIPTION	DATE	BY	APPD
AJ	16	B		REV PER ECO 08-008474	7/22/2008	DW	JL

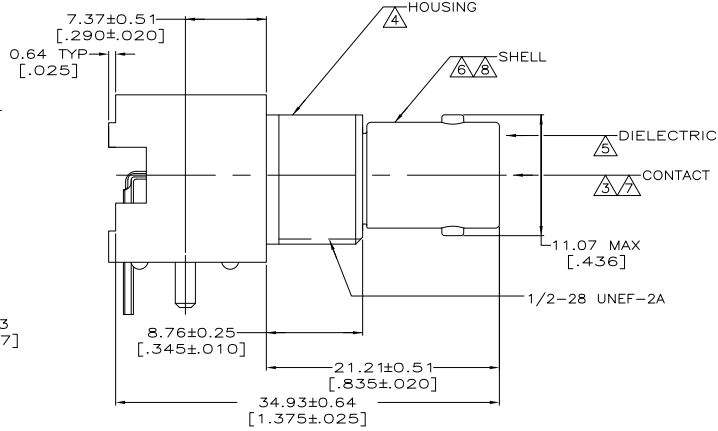
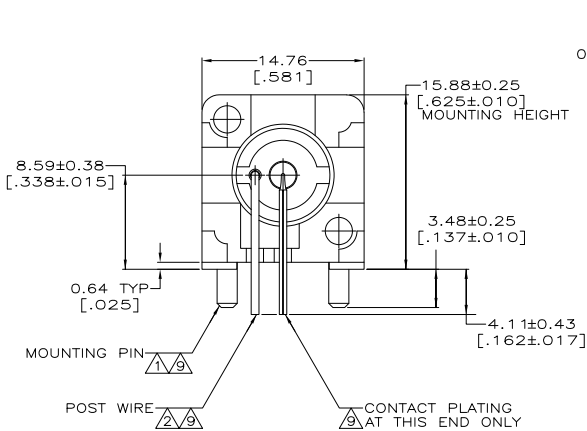


RECOMMENDED PCB LAYOUT



RECOMMENDED PANEL CUTOUT

- ▲ BRASS PER ASTM-B-16
 - ▲ BRASS PER ASTM-B-453
 - ▲ PHOSPHOR BRONZE PER ASTM-B-103
 - ▲ POLYESTER PBT PER MIL-M-25419, TYPE GPT-15F, UL94V-0 RATED, COLOR: BLACK
 - ▲ POLYMETHYLPENTENE: GENERAL PURPOSE
 - ▲ ZINC DIE CAST PER QQ-Z-363
 - ▲ GOLD PLATE PER ASTM-B-488, 0.76 μm [.000030] MIN THICKNESS
 - ▲ NICKEL PLATE PER QQ-N-290, 3.81 μm [.000150] MIN THICKNESS
 - ▲ TIN PLATE PER ASTM-B-545, 3.81 μm [.000150] MIN THICK.
10. USE INSTRUCTION SHEET 408-2769



5415633-1
 PART NUMBER

THIS DRAWING IS A CONTROLLED DOCUMENT.		DWG J. ALCORTA 27APR2005	27APR2005	Tyco Electronics Corporation Harrisburg, PA 17105-3608
DIMENSIONS: mm [INCHES]		CHK J. HAVENER 27APR2005	27APR2005	
TOLERANCES UNLESS OTHERWISE SPECIFIED:		NAME J. LIPPERT		JACK, RIGHT ANGLE, 75 OHM, PCB, BNC
0 PLG ± .000		PRODUCT SPEC 108-12078		
1 PLG ± .001		APPLICATION SPEC		SIZE CASE CODE DRAWING NO
2 PLG ± .002		MATERIAL		A2 00779 C=5415633
3 PLG ± .003		FINISH		RESTRICTED TO
4 PLG ± .004		SEE NOTES		CUSTOMER DRAWING
ANGLES ± .000		SCALE		4:1 SHEET 1 of 1 REV B