

4

3

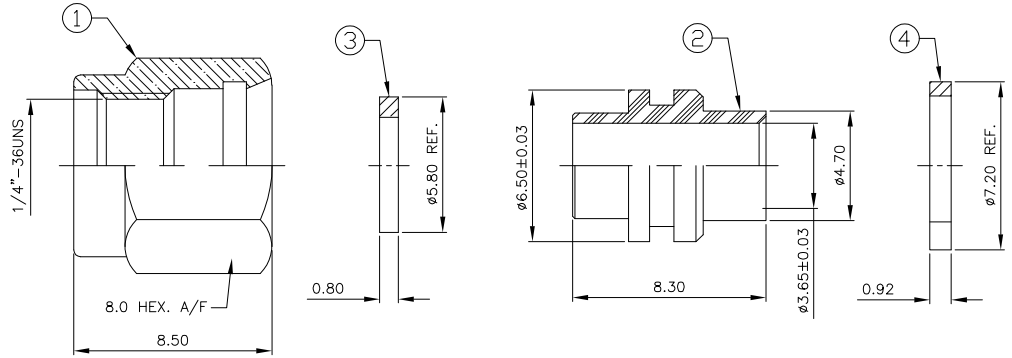
2

1

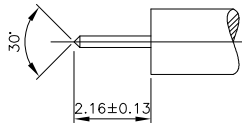
THIS DRAWING IS UNPUBLISHED. RELEASED FOR PUBLICATION APRIL, 2004.  
 © COPYRIGHT 2004 BY TYCO ELECTRONICS CORPORATION. ALL RIGHTS RESERVED.

LOC		DIST		REVISIONS			
P	LTR	DESCRIPTION		DATE	DWN	APVD	
B		EBD0-0189-04		22APR04	RS	FWK	

- NOTES:
- ① SINGLE PACK IN ACCORDANCE WITH SPEC 107-3275
  - ② 100 TRAY PACK IN ACCORDANCE WITH SPEC 107-3275
  - ③ 0.08µm Au PLATING OVER 1.27µm Ni PLATING
  - ④ PASSIVATED (GOLD PLATED CABLE ENTRY)
  - 5 FOR TECHNICAL DATA REFER TO YOUR LOCAL TYCO ELECTRONICS SALES OFFICE
  - 6 ALL DIMENSIONS ARE NOMINAL FOR REFERENCE ONLY UNLESS OTHERWISE STATED



RECOMMENDED  
CABLE STRIPPING DIM'S



		1	1	1	1	MATERIAL	DESCRIPTION	ITEM
						STAINLESS STEEL	CIRCLIP	4
						SILICON	GASKET	3
						STAINLESS STEEL	△ BODY	2
						STAINLESS STEEL	△ BODY	2
						STAINLESS STEEL	△ SHELL	1
						STAINLESS STEEL	△ SHELL	1
		2--1	2--0	1--1	1--0	MATERIAL	DESCRIPTION	ITEM

THIS DRAWING IS A CONTROLLED DOCUMENT.		DWN R. SMITH 28JAN04	Tyco Electronics Corporation Bideford, UK, EX39 4HE	
DIMENSIONS: mm		CHK S. PARLOW 28JAN04	NAME	
TOLERANCES UNLESS OTHERWISE SPECIFIED: 0 PLC ± - 1 PLC ± - 2 PLC ± - 3 PLC ± - 4 PLC ± - ANGLES ± -		APVD E. WHEELER-KING 28JAN04	SMA STRAIGHT PLUG DIRECT SOLDER W/O CENTRE CONTACT RG402/U	
MATERIAL SEE TABLE		FINISH -	PRODUCT SPEC 108-3460	RESTRICTED TO
		APPLICATION SPEC 411-3276	SIZE A3	CAGE CODE 00779
		WEIGHT -	DRAWING NO C-1478902	REV B
		CUSTOMER DRAWING	SCALE 1:1	SHEET 1 OF 1