

4

3

2

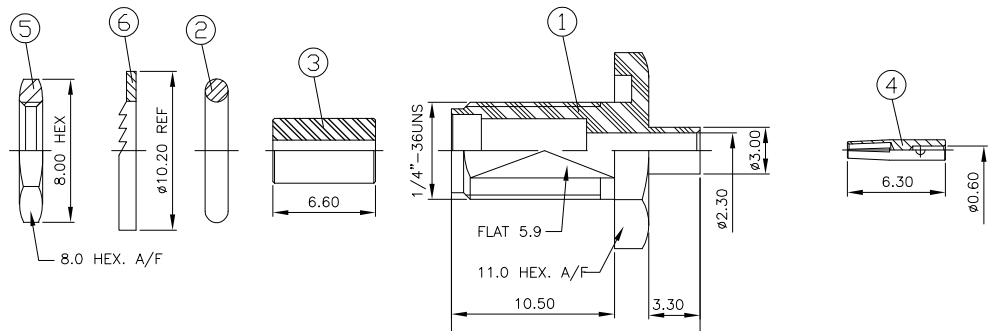
1

THIS DRAWING IS UNPUBLISHED. RELEASED FOR PUBLICATION JAN. 2004.  
 © COPYRIGHT 2004 BY TYCO ELECTRONICS CORPORATION. ALL RIGHTS RESERVED.

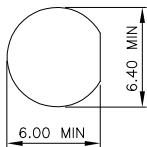
LOC		DIST		REVISIONS			
P	LTR	DESCRIPTION		DATE	DWN	APVD	
B		EBD0-0189-04		22APR04	JMS	FWK	
A		EBD0-0035-03		28JAN04	RS	FWK	

NOTES:

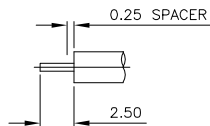
- ① SINGLE PACK IN ACCORDANCE WITH SPEC 107-3275
- ② 100 TRAY PACK IN ACCORDANCE WITH SPEC 107-3275
- ③ 0.08µm Au PLATING OVER 1.27µm Ni PLATING
- ④ 0.08µm Au PLATING OVER 1.27µm Ni PLATING OVER 0.76µm Cu PLATING
- ⑤ 0.76µm Au PLATING OVER 1.27µm Ni PLATING OVER 0.76µm Cu PLATING
- 6 FOR TECHNICAL DATA REFER TO YOUR LOCAL TYCO ELECTRONICS SALES OFFICE
- 7 ALL DIMENSIONS ARE NOMINAL FOR REFERENCE ONLY UNLESS OTHERWISE STATED



RECOMMENDED MOUNTING HOLE DIM'S



RECOMMENDED CABLE STRIPPING DIM'S



		1	1	-	-	BRASS	△	WASHER	6
		-	-	1	1	STAINLESS STEEL	△	WASHER	6
		1	1	-	-	BRASS	△	HEX NUT	5
		-	-	1	1	STAINLESS STEEL	△	HEX NUT	5
		1	1	1	1	BERYLLIUM COPPER	△	SOCKET	4
		1	1	1	1	PTFE		INSULATOR	3
		1	1	1	1	SILICON		GASKET	2
		1	1	-	-	BRASS	△	BODY	1
		-	-	1	1	STAINLESS STEEL	△	BODY	1
		3--1	3--0	1--1	1--0	MATERIAL		DESCRIPTION	ITEM
		△	△	△	△				

THIS DRAWING IS A CONTROLLED DOCUMENT.

DIMENSIONS:	TOLERANCES UNLESS OTHERWISE SPECIFIED:	DWN	J.SANDWELL	23JAN04	Tyco Electronics Corporation Bideford, UK, EX39 4HE	
MM		CHK	S.PARLOW	23JAN04		
		APVD	F.WHEELER-KING	23JAN04	NAME	
					PRODUCT SPEC	
					108-3460	
					APPLICATION SPEC	
					411-3276	
MATERIAL	FINISH	WEIGHT	SIZE	CAGE CODE	DRAWING NO	RESTRICTED TO
SEE TABLE	SEE TABLE	-	A3	00779	C-1478988	-
		CUSTOMER DRAWING	SCALE	NTS	SHEET	1 OF 1
					REV	B