

4

3

2

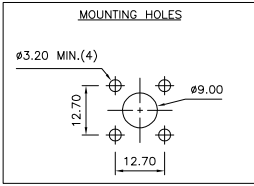
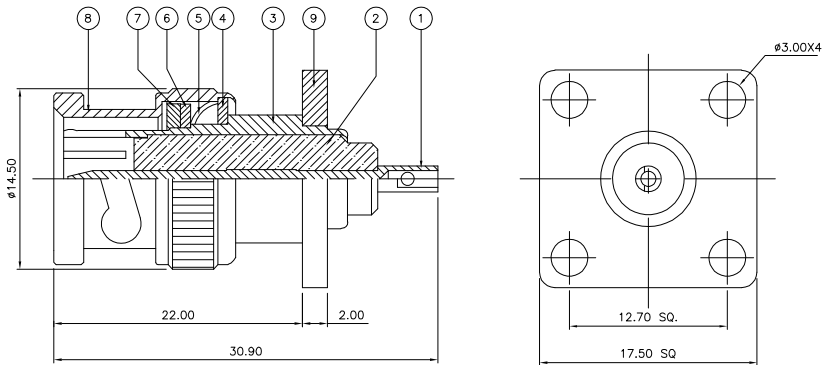
1

THIS DRAWING IS UNPUBLISHED. RELEASED FOR PUBLICATION JUNE, 2006.
 © COPYRIGHT 2006 BY TYCO ELECTRONICS CORPORATION. ALL RIGHTS RESERVED.

LOC	DIST	REVISIONS			
P	LTR	DESCRIPTION	DATE	DWN	APVD
B		ECR-05-013423	15JUN06	JMS	FWK

NOTES:

- ⚠ PACK IN ACCORDANCE WITH AMP SPEC 107-3275
- ⚠ 100 TRAY PACK IN ACCORDANCE WITH AMP SPEC 107-3275
- ⚠ Ag PLATING
- ⚠ Ni PLATING
- ⚠ THIS ITEM MUST BE WHITE
- 6 ELECTRICAL CHARACTERISTICS
 - FREQUENCY RANGE: DC - 2 GHz
 - NOMINAL IMPEDANCE: 75 Ohm
 - INSULATION RESISTANCE: 5000 MOhm
 - WORKING VOLTAGE: 500 Volts RMS at Sea Level
 - DIELECTRIC WITHSTAND VOLTAGE: 1500 Volts RMS Max
 - CONTACT RESISTANCE: 1.50 mOhm Max
 - CENTRE CONTACT: 0.20 mOhm Max
 - OUTER CONTACT: N/A
 - VSWR @ xGHz: N/A
 - INSERTION LOSS xdb: N/A
- 7 MECHANICAL CHARACTERISTICS
 - COUPLING RETENTION FORCE: 445N Min
 - CABLE RETENTION FORCE: N/A
 - DURABILITY: 500 Cycles Min
- 8 ENVIRONMENTAL CHARACTERISTICS
 - OPERATING TEMPERATURE: -65 to +165 DegC
- 9 FOR TECHNICAL DATA REFER TO YOUR LOCAL TYCO ELECTRONICS SALES OFFICE
- 10 ALL DIMENSIONS ARE NOMINAL FOR REFERENCE ONLY UNLESS OTHERWISE STATED



QTY	UNIT	MATERIAL	DESCRIPTION	ITEM
1	1	BRASS	FLANGE	9
1	1	BRASS	SHELL	8
1	1	SILICON RUBBER	GASKET	7
1	1	BRASS	RETAINING RING	6
1	1	SPRING STEEL	SPRING	5
1	1	BRASS	WASHER	4
1	1	BRASS	BODY	3
1	1	PTFE	INSULATION	2
1	1	BRASS	CONTACT	1
6--0	1--0	MATERIAL	DESCRIPTION	ITEM

THIS DRAWING IS A CONTROLLED DOCUMENT.

DIMENSIONS: mm	TOLERANCES UNLESS OTHERWISE SPECIFIED:	DWN J. SANDWELL 15JUN06	15JUN06	15JUN06	15JUN06	15JUN06	15JUN06
0 PLC ± -	1 PLC ± -	CHK S. PARLOW	15JUN06	APVD S. PARLOW	15JUN06	NAME E. WHEELER-KING	TYCO Electronics Tyco Electronics Corporation Bideford EX39 4HE
2 PLC ± -	3 PLC ± -	PRODUCT SPEC		APPLICATION SPEC		SIZE A3	CAGE CODE 00779
4 PLC ± -	ANGLES ± -	WEIGHT		CUSTOMER DRAWING		DRAWING NO C-1478052	RESTRICTED TO
MATERIAL	FINISH					SCALE NTS	SHEET 1 OF 1 REV B