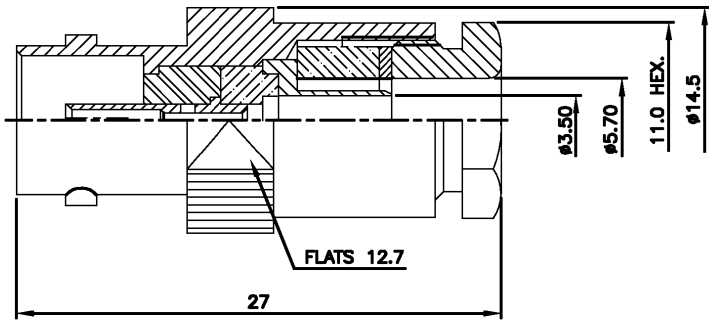


THIS DRAWING IS UNPUBLISHED. RELEASED FOR PUBLICATION 21-11-01.  
 © COPYRIGHT 2001 BY TYCO ELECTRONICS CORPORATION. ALL RIGHTS RESERVED.

LOC	DIST	REVISIONS			
P	LTR	DESCRIPTION	DATE	DWN	APVD
B		EB00-0091-02	18-03-02	AJB	R.G
A		RELEASE FOR PRODUCTION	21-11-01	AJB	FKV



⚠ SUPPLIED SEMI-ASSEMBLED (PACK CONTAINS LOOSE PIECES)  
 VIEW SHOWS ASSEMBLED CONNECTOR (CABLE OMITTED)  
 FOR CABLE TO CONNECTOR ASSEMBLY GUIDANCE  
 REFER TO TYCO INSTRUCTION SHEET I.S 411 - 3274

**ALL DIMENSIONS ARE NOMINAL. FOR REFERENCE ONLY.**

BAG	SINGLE ITEM	1-1478410-0
PACK TYPE	DESCRIPTION	PART NUMBER

DIE SET PART NUMBER	N/A
HANDTOOL PART NUMBER	N/A
FOR USE ON CABLES	URM202
CONNECTOR PLATING DETAIL	SILVER
CONTACT PLATING DETAIL	SILVER
DIELECTRIC MATERIAL	TEFLON
GASKET MATERIAL	WHITE SILICONE RUBBER

THIS DRAWING IS A CONTROLLED DOCUMENT.

DIMENSIONS:	TOLERANCES UNLESS OTHERWISE SPECIFIED:	DWN A.BEKEN 21-11-01	APVD R.G 21-11-01	Tyco Electronics Corporation Stanmore, Middlesex, HA7 4RS	
MM	0 PLC ± - 1 PLC ± - 2 PLC ± - 3 PLC ± - 4 PLC ± - ANGLES ± -	APVD F.W-KING 21-11-01	NAME F.W-KING	BNC STRAIGHT JACK SOLDER (PS) URM202 75 ohm	
MATERIAL	FINISH	PRODUCT SPEC 108-3435	APPLICATION SPEC	SIZE A3	CAGE CODE 00779
		WEIGHT	DRAWING NO 1478410	RESTRICTED TO	
		CUSTOMER DRAWING	SCALE NTS	SHEET 1 OF 1	REV B

AMP 1470-19 REV 31MAR2000

Y:\PBL\00-111\EB01713P\_REV\_B\_ADD\_REDC\1478410-C.dwg