

4

3

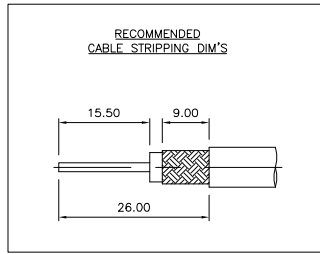
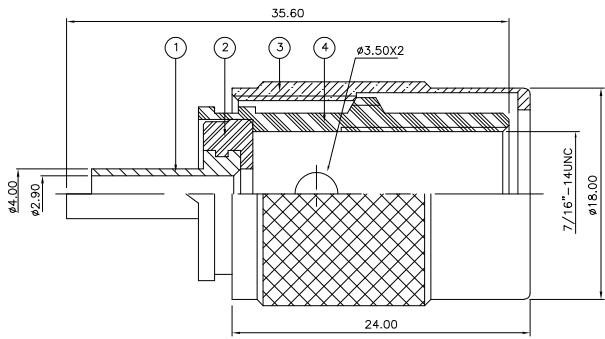
2

1

THIS DRAWING IS UNPUBLISHED. RELEASED FOR PUBLICATION JAN. 2006.  
 © COPYRIGHT 2006 BY TYCO ELECTRONICS CORPORATION. ALL RIGHTS RESERVED.

| LOC | DIST | REVISIONS     |         |     |      |
|-----|------|---------------|---------|-----|------|
| P   | LTR  | DESCRIPTION   | DATE    | DWN | APVD |
| C   |      | ECR-05-017969 | 09JAN06 | JMS | FWK  |

- NOTES:**
- ⚠ PACK IN ACCORDANCE WITH AMP SPEC 107-3275
  - ⚠ 100 TRAY PACK IN ACCORDANCE WITH AMP SPEC 107-3275
  - ⚠ Ag PLATING
  - ⚠ **ELECTRICAL CHARACTERISTICS**
    - FREQUENCY RANGE: DC - 500 MHz
    - NOMINAL IMPEDANCE: Non Constant
    - INSULATION RESISTANCE: 5000 MOhm
    - WORKING VOLTAGE: 500 Volts RMS at Sea Level
    - DIELECTRIC WITHSTAND VOLTAGE: 1500 Volts RMS Max
    - CONTACT RESISTANCE: 3.00 mOhm Max
    - CENTRE CONTACT: 2.00 mOhm Max
    - OUTER CONTACT: 2.00 mOhm Max
  - 5 **MECHANICAL CHARACTERISTICS**
    - COUPLING NUT RETENTION FORCE: 445N Min
    - CABLE RETENTION FORCE: 85N Min
    - DURABILITY: 500 Cycles Min
  - 6 **ENVIRONMENTAL CHARACTERISTICS**
    - OPERATING TEMPERATURE: -65 to +165 DegC



| QTY | 1    | 1    | MATERIAL | DESCRIPTION    | ITEM |
|-----|------|------|----------|----------------|------|
|     | 1    | 1    | BRASS    | ⚠ BODY         | 4    |
|     | 1    | 1    | BRASS    | ⚠ COUPLING NUT | 3    |
|     | 1    | 1    | PTFE     | INSULATION     | 2    |
|     | 1    | 1    | BRASS    | ⚠ CONTACT      | 1    |
|     | 6--0 | 1--0 | MATERIAL | DESCRIPTION    | ITEM |

THIS DRAWING IS A CONTROLLED DOCUMENT.

|                     |  |   |                        |                               |                       |
|---------------------|--|---|------------------------|-------------------------------|-----------------------|
| DIMENSIONS: mm      | TOLERANCES UNLESS OTHERWISE SPECIFIED: | DWN: J. SANDWELL 09JAN06  | CHK: S. PARLOW 09JAN06 | APVD: F. WHEELER-KING 09JAN06 | NAME: F. WHEELER-KING |
| 0 PLC ± -           | 1 PLC ± -                              | <b>Tyco Electronics Corporation</b><br>Bideford EX39 4HE                                |                        |                               |                       |
| 2 PLC ± -           | 3 PLC ± -                              | UHF TWIST-ON STRAIGHT PLUG<br>RG8A/U, 9B/U, 213/U, 214/U, URM67,<br>91, KX4, KX13, KX24 |                        |                               |                       |
| 4 PLC ± -           | ANGLES ± -                             | APPLICATION SPEC: 411-3260  | WEIGHT: -              | SIZE: A3                      | CAGE CODE: 00779      |
| MATERIAL: SEE TABLE | FINISH: -                              | CUSTOMER DRAWING  | SCALE: NTS             | DRAWING NO: 1337474           | RESTRICTED TO: -      |
|                     |  |   | SHEET: 1               | OF: 1                         | REV: C                |