

4

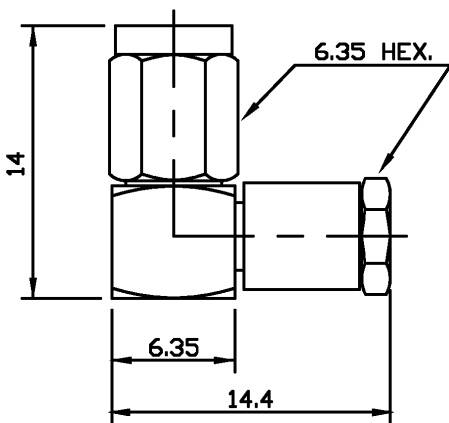
3

2

1

THIS DRAWING IS UNPUBLISHED. RELEASED FOR PUBLICATION 7-8-00 .
 © COPYRIGHT 2000 BY TYCO ELECTRONICS CORPORATION. ALL RIGHTS RESERVED.

LOC		DIST		REVISIONS			
P	LTR	DESCRIPTION	DATE	DWN	APVD		
B		EB00-0304-01	1-11-01	RG	FWK		



⚠ SUPPLIED SEMI-ASSEMBLED (PACK CONTAINS LOOSE PIECES)
 VIEW SHOWS ASSEMBLED CONNECTOR (CABLE OMITTED)
 FOR CABLE TO CONNECTOR ASSEMBLY GUIDANCE
 REFER TO TYCO INSTRUCTION SHEET I.S 411 - 3268

ALL DIMENSIONS ARE NOMINAL. FOR REFERENCE ONLY.

DIE SET PART NUMBER	N/A
HANDTOOL PART NUMBER	N/A
FOR USE ON CABLES	RG174A/U, 188A/U, 316/U & URM95
CONNECTOR PLATING DETAIL	GOLD
CONTACT PLATING DETAIL	GOLD
DIELECTRIC MATERIAL	TEFLON
GASKET MATERIAL	WHITE SILICONE RUBBER

THIS DRAWING IS A CONTROLLED DOCUMENT.

DIMENSIONS:	TOLERANCES UNLESS OTHERWISE SPECIFIED:
MM	
0 PLC	±
1 PLC	±
2 PLC	±
3 PLC	±
4 PLC	±
ANGLES	±
MATERIAL	FINISH
-	-

BAG	SINGLE ITEM	1-1337606-0
PACK TYPE	DESCRIPTION	PART NUMBER
	SMC ELBOW PLUG SOLDER	
	50 Ohm	
DWN	07-SEP-00	R. SMITH
GK	07-SEP-00	R. GOODALL
APVD	07-SEP-00	R. GOODALL
PRODUCT SPEC	108-3435	
APPLICATION SPEC		
WEIGHT	-	
SIZE	A3	
CAGE CODE	00779	
DRAWING NO	1337606	
RESTRICTED TO		
CUSTOMER DRAWING	SCALE NTS	SHEET 1 OF 1 REV B