

4

3

2

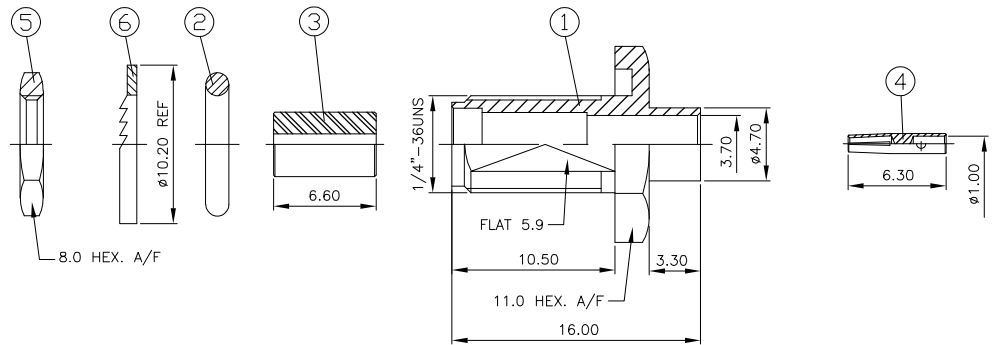
1

THIS DRAWING IS UNPUBLISHED. RELEASED FOR PUBLICATION APRIL, 2004.
 © COPYRIGHT 2004 BY TYCO ELECTRONICS CORPORATION. ALL RIGHTS RESERVED.

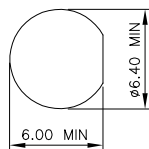
LOC	DIST	REVISIONS			
P	LTR	DESCRIPTION	DATE	DWN	APVD
A		EBD0-0035-03	30JAN04	RS	FWK

NOTES:

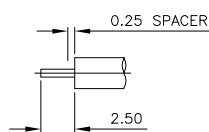
- 1 SINGLE PACK IN ACCORDANCE WITH SPEC 107-3275
- 2 100 TRAY PACK IN ACCORDANCE WITH SPEC 107-3275
- 3 0.08µm Au PLATING OVER 1.27µm Ni PLATING
- 4 0.08µm Au PLATING OVER 1.27µm Ni PLATING OVER 0.76µm Cu PLATING
- 5 0.76µm Au PLATING OVER 1.27µm Ni PLATING OVER 0.76µm Cu PLATING
- 6 FOR TECHNICAL DATA REFER TO YOUR LOCAL TYCO ELECTRONICS SALES OFFICE
- 7 ALL DIMENSIONS ARE NOMINAL FOR REFERENCE ONLY UNLESS OTHERWISE STATED



RECOMMENDED MOUNTING HOLE DIM'S



RECOMMENDED CABLE STRIPPING DIM'S



QTY	DESCRIPTION	MATERIAL	ITEM
1	WASHER	BRASS	6
1	WASHER	STAINLESS STEEL	6
1	HEX NUT	BRASS	5
1	HEX NUT	STAINLESS STEEL	5
1	SOCKET	BERYLLIUM COPPER	4
1	INSULATOR	PTFE	3
1	GASKET	SILICON	2
1	BODY	BRASS	1
1	BODY	STAINLESS STEEL	1
3-1	MATERIAL		
	DESCRIPTION		ITEM

THIS DRAWING IS A CONTROLLED DOCUMENT.

DWN R. SMITH 30JAN04	Tyco Electronics Corporation Bideford, UK, EX39 4HE
CHK S. PARLOW 30JAN04	
APVD E. WHEELER-KING 30JAN04	NAME SMA BULKHEAD JACK DIRECT SOLDER NON CAPTIVE CONTACT O-RING SEAL RG402/U
DIMENSIONS: mm	PRODUCT SPEC 108-3460
TOLERANCES UNLESS OTHERWISE SPECIFIED: 0 PLC ± - 1 PLC ± - 2 PLC ± - 3 PLC ± - 4 PLC ± - ANGLES ± -	APPLICATION SPEC 411-3276
MATERIAL SEE TABLE	WEIGHT -
FINISH -	SIZE A3
	CAGE CODE 00779
	DRAWING NO 1478987
	RESTRICTED TO -
	CUSTOMER DRAWING
	SCALE NTS
	SHEET 1 OF 1
	REV A