

4

3

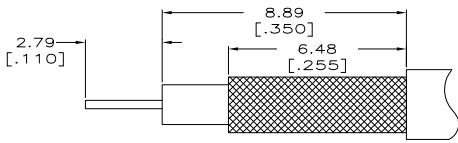
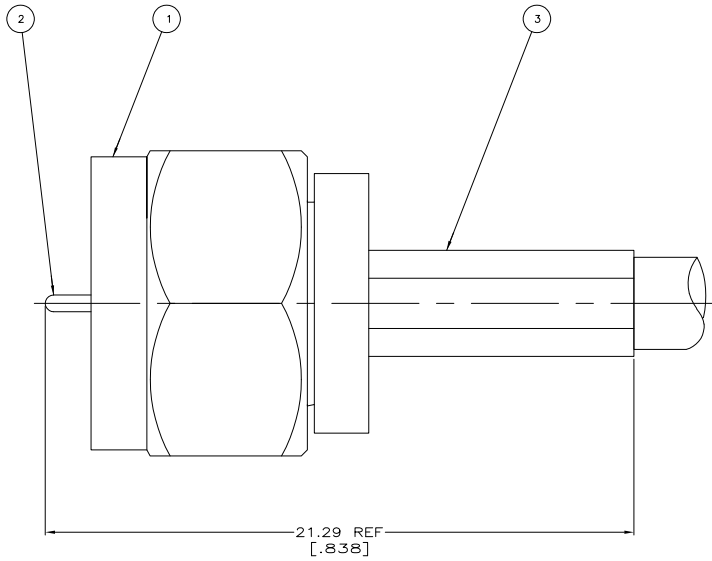
2

1

THIS DRAWING IS UNPUBLISHED. RELEASED FOR PUBLICATION
 © COPYRIGHT BY TYCO ELECTRONICS CORPORATION. ALL RIGHTS RESERVED.

LOC		DIBT		REVISIONS			
F	LTR	DESCRIPTION	DATE	BY	APP'D		
AF	49						
		REV PER EC-0514-0496-04	01FEB2005	GA	KW		

⚠ FOR USE WITH RG-179 COAXIAL CABLE.
 ⚠ TERMINATION TOOLING:
 BRAID: M 22520/5-01 WITH DANIELS DIE SET HX4-1637(.128 HEX).
 CONTACT: M 22520/2-01 WITH DANIELS POSITIONER K727, POS. 2.



RECOMMENDED STRIP LENGTH

9-413889-0	9-415416-0	9-415411-0	5415226-1
③ FERRULE QTY=1	② CONTACT QTY=1	① PLUG ASSY QTY=1	PART NUMBER
THIS DRAWING IS A CONTROLLED DOCUMENT.		Tyco Electronics Corporation Harrisburg, PA 17105-3608	
DIMENSIONS: mm [INCHES] 0 P.L.C. # - 1 P.L.C. # - 2 P.L.C. # 0.3(010) 3 P.L.C. # - 4 P.L.C. # - ANGLES # - FINISH # -		DWG: G. ATTADIA 01FEB2005 CHK: J. HAVENER 01FEB2005 APD: K. WEIDNER 01FEB2005 PRODUCT SPEC: - APPLICATION SPEC: - WEIGHT: - CUSTOMER DRAWING	NAME: PLUG, SERIES F SIZE: A2 CASE CODE: 00779 DRAWING NO: C=5415226 SCALE: 10:1 SHEET: 1 OF 1 REV: 0

AMP 1471-9 REV 31MM2000

5415226