

4

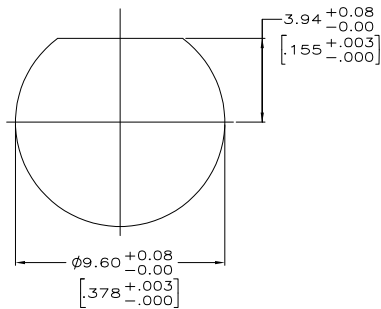
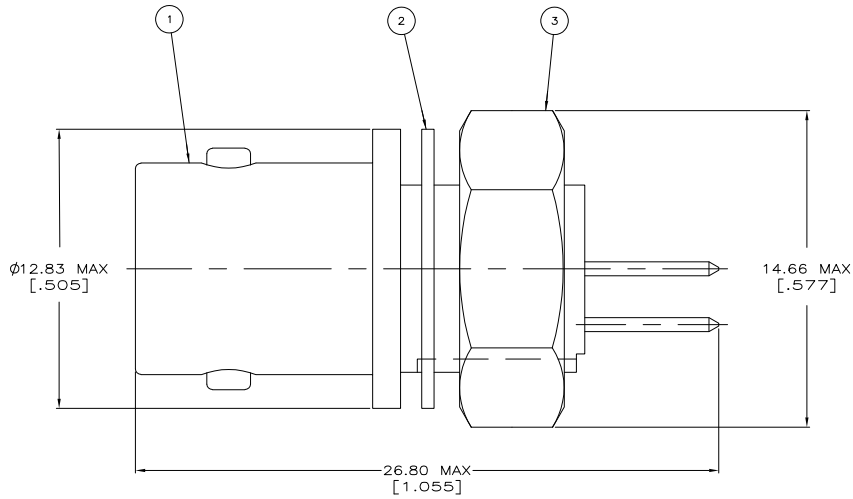
3

2

1

THIS DRAWING IS UNPUBLISHED. RELEASED FOR PUBLICATION
 © COPYRIGHT BY TYCO ELECTRONICS CORPORATION. ALL RIGHTS RESERVED.

LOC	DIST	REVISIONS			
P	LTR	DESCRIPTION	DATE	MIN	APD
AJ	16	REV PER EDD 06-002539	07APR06	GB	JH



RECOMMENDED PANEL CUTOUT

9-414815-0	1-329492-1	414195-1	5414194-1
③ JAM NUT QTY=1	② LOCK WASHER QTY=1	① SOLDER RCPT, ASSEMBLY QTY=1	PART NUMBER
THIS DRAWING IS A CONTROLLED DOCUMENT.		Tyco Electronics Corporation Harrisburg, PA 17105-3608	
DIMENSIONS: mm (INCHES) 0 PLG ± 1 PLG ± 2 PLG ± 3 PLG ± 4 PLG ± ANGLES ± FINISH		J. ALCORTA J. HAVENER J. LIPPERT APPLICATION SPEC WEIGHT CUSTOMER DRAWING	
MATERIAL		SIZE	RESTRICTED TO
		A2 00779 C=5414194	—
		SCALE: 8:1	SHEET 1 of 1 REV A

AMP 1471-9 REV 31MM2000

5414194

A