

4

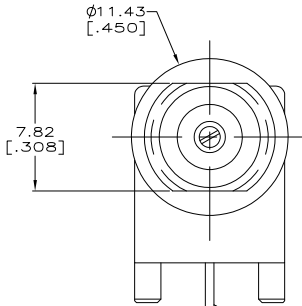
3

2

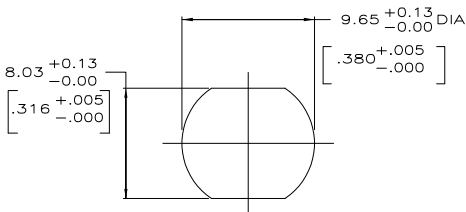
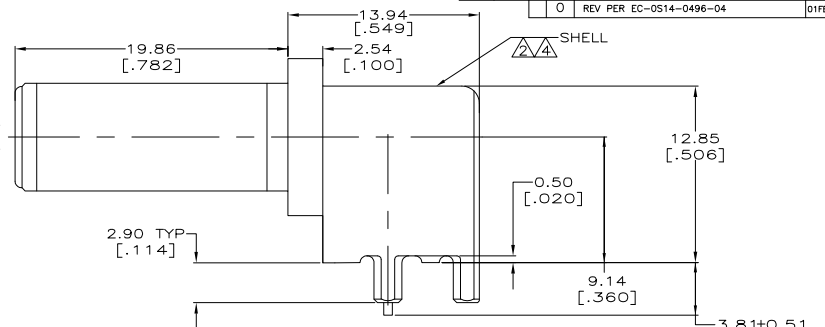
1

THIS DRAWING IS UNPUBLISHED. RELEASED FOR PUBLICATION
 BY TYCO ELECTRONICS CORPORATION. ALL RIGHTS RESERVED.

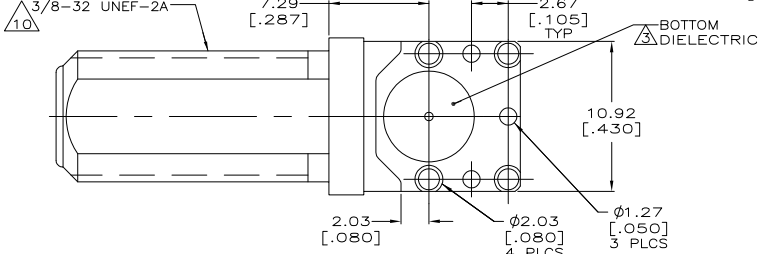
LOC	DIST	REV	DESCRIPTION	DATE	BY	APP'D
AJ	16	0	REV PER EC-0514-0496-04	01FEB2005	GA	KW



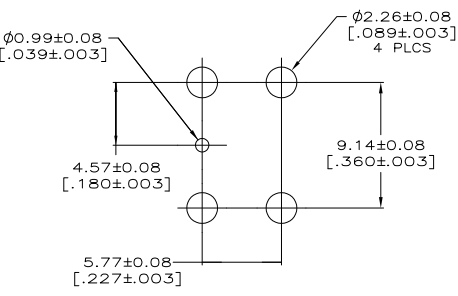
FRONT DIELECTRIC
 CONTACT



SUGGESTED PANEL CUTOUT



3/8-32 UNEF-2A



PCB CONFIGURATION

- △ BRASS PER ASTM-B-453
- △ ZINC PER QQ-Z-363.
- △ ACETAL, GENERAL PURPOSE
- △ TIN PLATE PER ASTM-B-545
3.81μm [.000150] MINIMUM THICK OVER
NICKEL PLATE PER QQ-N-290
1.27μm [.000050] MINIMUM THICK.
- △ CONNECTOR WILL ACCEPT CENTER CONDUCTOR
DIAMETER RANGE OF 0.56[.022]-1.19[.047]
- △ RETURN LOSS: -20dB MIN AT 1 GHz.
- △ BERYLLIUM COPPER PER ASTM-B-196.
- △ POLYMETHYLPENTENE, GENERAL PURPOSE, BLACK.
- △ TIN PLATE PER ASTM-B-545
3.81μm [.000150] MINIMUM THICK.
- △ 10 MAJOR DIA MODIFIED TO .363 REF.

CONTACT MATERIAL	FRONT DIELECTRIC MATERIAL	PART NUMBER
		5415276-2

THIS DRAWING IS A CONTROLLED DOCUMENT.

DIMENSIONS: mm [INCHES]	DESIGNED BY: G. ATTADIA	DATE: 01FEB2005	BY: J. HAVENER	DATE: 01FEB2005	NAME: K. WEIDNER	DATE: 01FEB2005	PRODUCT SPEC: -	APPLICATION SPEC: -	WEIGHT: -	SIZE: A2	CAGE CODE: 00779	DRAWING NO: C=5415276	RESTRICTED TO: -
MATERIAL: SEE NOTES 1-3	FINISH: SEE NOTE 4	CUSTOMER DRAWING		SCALE: 8:1	SHEET: 1 OF 1	REV: 0							

TYCO Electronics Tyco Electronics Corporation
 Harrisburg, Pa 17105-3608

JACK, PCB, RIGHT ANGLE, F SERIES

AMP 1471-9 REV 31MM2000

5415276

A