

4

3

2

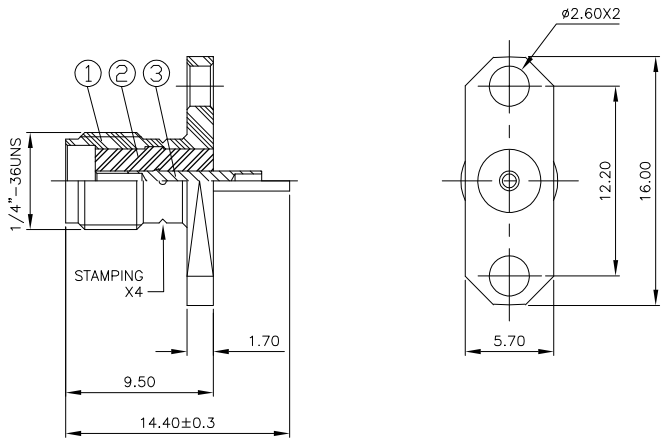
1

THIS DRAWING IS UNPUBLISHED. RELEASED FOR PUBLICATION APRIL, 2004. COPYRIGHT 2004 BY TYCO ELECTRONICS CORPORATION. ALL RIGHTS RESERVED.

LOC	DIST	REVISIONS			
P	LTR	DESCRIPTION	DATE	DWN	APVD
E	B	A	EBD0-0035-03	12FEB04	RS FWK

NOTES:

- 1 SINGLE PACK IN ACCORDANCE WITH SPEC 107-3275
- 2 100 TRAY PACK IN ACCORDANCE WITH SPEC 107-3275
- 3 0.08μm Au PLATING OVER 1.27μm Ni PLATING
- 4 0.08μm Au PLATING OVER 1.27μm Ni PLATING OVER 0.76μm Cu PLATING
- 5 0.76μm Au PLATING OVER 1.27μm Ni PLATING OVER 0.76μm Cu PLATING
- 6 PASSIVATED
- 7 WHITE BRONZE PLATING
- 8 FOR TECHNICAL DATA REFER TO YOUR LOCAL TYCO ELECTRONICS SALES OFFICE
- 9 ALL DIMENSIONS ARE NOMINAL FOR REFERENCE ONLY UNLESS OTHERWISE STATED



QTY	QTY	QTY	QTY	QTY	QTY	QTY	QTY	QTY	QTY	MATERIAL	DESCRIPTION	ITEM
1	1	1	1	1	1	1	1	1	1	BERYLLIUM COPPER	CENTER SOCKET	3
1	1	1	1	1	1	1	1	1	1	PTFE	INSULATOR	2
1	1	-	-	-	-	-	-	-	-	BRASS	BODY	1
-	-	1	1	-	-	-	-	-	-	BRASS	BODY	1
-	-	-	-	1	1	-	-	-	-	STAINLESS STEEL	BODY	1
-	-	-	-	-	-	1	1	-	-	STAINLESS STEEL	BODY	1
4--1	4--0	3--1	3--0	2--1	2--0	1--1	1--0	-	-	MATERIAL	DESCRIPTION	ITEM

THIS DRAWING IS A CONTROLLED DOCUMENT.		DWN R. SMITH 12FEB04	Tyco Electronics Corporation Bideford, UK, EX39 4HE	
DIMENSIONS: mm		CHK S. PARLOW 12FEB04	NAME E. WHEELER-KING	
TOLERANCES UNLESS OTHERWISE SPECIFIED: 0 PLC ± - 1 PLC ± - 2 PLC ± - 3 PLC ± - 4 PLC ± - ANGLES ± -		APVD E. WHEELER-KING 12FEB04	PRODUCT SPEC 108-3460	
MATERIAL SEE TABLE		FINISH -	APPLICATION SPEC -	RESTRICTED TO -
		WEIGHT -	SIZE A3	CAGE CODE 00779
		DRAWING NO C-1478963		REV A
		CUSTOMER DRAWING		SCALE 1:1
		SHEET 1 OF 1		