

4

3

2

1

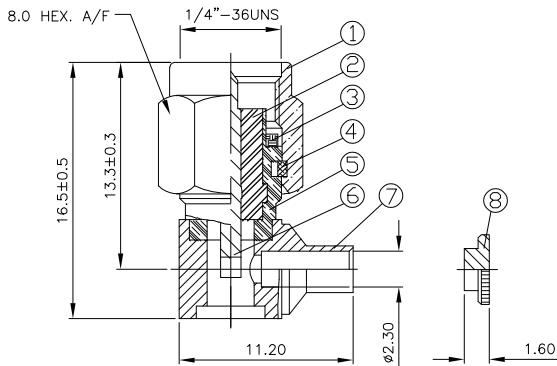
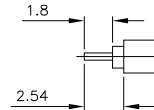
THIS DRAWING IS UNPUBLISHED. RELEASED FOR PUBLICATION APRIL, 2004.
 © COPYRIGHT 2004 BY TYCO ELECTRONICS CORPORATION. ALL RIGHTS RESERVED.

LOC		DIST		REVISIONS			
P	LTR	DESCRIPTION		DATE	DWN	APVD	
A		EBD0-0035-03		09FEB04	RS	FWK	

NOTES:

- 1 SINGLE PACK IN ACCORDANCE WITH SPEC 107-3275
- 2 100 TRAY PACK IN ACCORDANCE WITH SPEC 107-3275
- 3 0.08µm Au PLATING OVER 1.27µm Ni PLATING
- 4 0.08µm Au PLATING OVER 1.27µm Ni PLATING OVER 0.76µm Cu PLATING
- 5 0.76µm Au PLATING OVER 1.27µm Ni PLATING OVER 0.76µm Cu PLATING
- 6 PASSIVATED (GOLD PLATED CABLE ENTRY)
- 7 FOR TECHNICAL DATA REFER TO YOUR LOCAL TYCO ELECTRONICS SALES OFFICE
- 8 ALL DIMENSIONS ARE NOMINAL FOR REFERENCE ONLY UNLESS OTHERWISE STATED

RECOMMENDED CABLE STRIPPING DIM'S



QTY	1	1	-	-	-	-	MATERIAL	DESCRIPTION	ITEM	
							BRASS	CAP	8	
			1	1	-	-	STAINLESS STEEL	CAP	8	
			-	-	-	1	1	STAINLESS STEEL	CAP	8
		1	1	-	-	-	BRASS	CHASSIS	7	
		-	-	1	1	-	-	STAINLESS STEEL	CHASSIS	7
		-	-	-	-	1	1	STAINLESS STEEL	CHASSIS	7
		1	1	1	1	1	1	BRASS	CENTER CONTACT	6
		1	1	-	-	-	-	BRASS	BODY	5
		-	-	1	1	-	-	STAINLESS STEEL	BODY	5
		-	-	-	-	1	1	STAINLESS STEEL	BODY	5
		1	1	1	1	1	1	STAINLESS STEEL	CIRCLIP	4
		1	1	1	1	1	1	SILICON	GASKET	3
		1	1	1	1	1	1	PTFE	INSULATOR	2
		1	1	-	-	-	-	BRASS	SHELL	1
		-	-	1	1	-	-	STAINLESS STEEL	SHELL	1
		-	-	-	-	1	1	STAINLESS STEEL	SHELL	1
		3--1	3--0	2--1	2--0	1--1	1--0	MATERIAL	DESCRIPTION	ITEM

THIS DRAWING IS A CONTROLLED DOCUMENT.

DIMENSIONS: mm	TOLERANCES UNLESS OTHERWISE SPECIFIED:	DWN: R.SMITH 09FEB04	APVD: S.PARLOW 09FEB04	TYCO Electronics Tyco Electronics Corporation Bideford, UK, EX39 4HE
0 PLC ± -	1 PLC ± -	APVD: F.WHEELER-KING 09FEB04	NAME: S.MA RIGHT ANGLE PLUG DIRECT SOLDER CAPTIVE CONTACT RG405/U	RESTRICTED TO
2 PLC ± -	3 PLC ± -	WEIGHT: 411-3276	SIZE: A3 CAGE CODE: 00779 DRAWING NO: 1478906	
4 PLC ± -	ANGLES ± -	MATERIAL: SEE TABLE	CUSTOMER DRAWING	SCALE: 1:1 SHEET 1 OF 1 REV A