

4

3

2

1

THIS DRAWING IS UNPUBLISHED. RELEASED FOR PUBLICATION APRIL, 2004.
 © COPYRIGHT 2004 BY TYCO ELECTRONICS CORPORATION. ALL RIGHTS RESERVED.

LOC		DIST		REVISIONS			
P	LTR	DESCRIPTION		DATE	DWN	APVD	
	A	EBD0-0035-03		10FEB04	RS	FWK	

NOTES:

- 1 SINGLE PACK IN ACCORDANCE WITH SPEC 107-3275
- 2 100 TRAY PACK IN ACCORDANCE WITH SPEC 107-3275
- 3 0.08µm Au PLATING OVER 1.27µm Ni PLATING
- 4 0.08µm Au PLATING OVER 1.27µm Ni PLATING OVER 0.76µm Cu PLATING
- 5 0.76µm Au PLATING OVER 1.27µm Ni PLATING OVER 0.76µm Cu PLATING
- 6 PASSIVATED
- 7 WHITE BRONZE PLATING
- 8 PLATING AS PER BODY, EXCEPT FOR PASSIVATED WHICH IS NICKEL PLATED

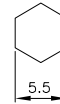
9 HAND TOOL 9-1478240-0

10 DIE SET 9-1478242-0

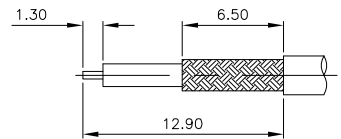
11 FOR TECHNICAL DATA REFER TO YOUR LOCAL TYCO ELECTRONICS SALES OFFICE

12 ALL DIMENSIONS ARE NOMINAL FOR REFERENCE ONLY UNLESS OTHERWISE STATED

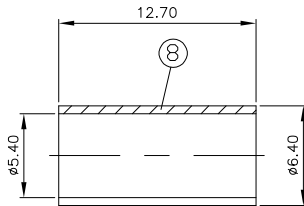
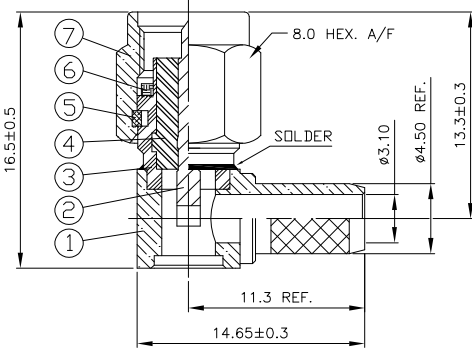
RECOMMENDED
CRIMP SLEEVE
A/F HEX



RECOMMENDED
CABLE STRIPPING DIM'S



QTY	PLC	FIN	PLC	FIN	PLC	FIN	PLC	FIN	PLC	FIN	PLC	FIN	MATERIAL	DESCRIPTION	ITEM
1	1	-	-	-	-	-	-	-	-	-	-	-	BRASS	△ CAP	9
-	-	1	1	-	-	-	-	-	-	-	-	-	BRASS	△ CAP	9
-	-	-	-	1	1	-	-	-	-	-	-	-	STAINLESS STEEL	△ CAP	9
-	-	-	-	-	-	-	-	1	1	-	-	-	STAINLESS STEEL	△ CAP	9
1	1	1	1	1	1	1	1	1	1	1	1	1	BRASS	△ CRIMP SLEEVE	8
1	1	-	-	-	-	-	-	-	-	-	-	-	BRASS	△ SHELL	7
-	-	1	1	-	-	-	-	-	-	-	-	-	BRASS	△ SHELL	7
-	-	-	-	-	-	1	1	-	-	-	-	-	STAINLESS STEEL	△ SHELL	7
-	-	-	-	-	-	-	-	-	-	1	1	-	STAINLESS STEEL	△ SHELL	7
1	1	1	1	1	1	1	1	1	1	1	1	1	SILICON	GASKET	6
1	1	1	1	1	1	1	1	1	1	1	1	1	STAINLESS STEEL	CIRCLIP	5
1	1	1	1	1	1	1	1	1	1	1	1	1	PTFE	INSULATOR	4
1	1	-	-	-	-	-	-	-	-	-	-	-	BRASS	△ BODY	3
-	-	1	1	-	-	-	-	-	-	-	-	-	BRASS	△ BODY	3
-	-	-	-	-	-	1	1	-	-	-	-	-	STAINLESS STEEL	△ BODY	3
-	-	-	-	-	-	-	-	-	-	1	1	-	STAINLESS STEEL	△ BODY	3
1	1	1	1	1	1	1	1	1	1	1	1	1	BRASS	△ CENTER CONTACT	2
1	1	-	-	-	-	-	-	-	-	-	-	-	BRASS	△ BODY	1
-	-	-	-	1	1	-	-	-	-	-	-	-	BRASS	△ BODY	1
-	-	-	-	-	-	1	1	-	-	-	-	-	STAINLESS STEEL	△ BODY	1
-	-	-	-	-	-	-	-	-	-	1	1	-	STAINLESS STEEL	△ BODY	1
4--1	4--0	3--1	3--0	2--1	2--0	1--1	1--0	-	-	-	-	-	MATERIAL	DESCRIPTION	ITEM



THIS DRAWING IS A CONTROLLED DOCUMENT.

DIMENSIONS: mm	TOLERANCES UNLESS OTHERWISE SPECIFIED: 0 PLC ± 1 PLC ± 2 PLC ± 3 PLC ± 4 PLC ± ANGLES ±	DWN R.SMITH 10FEB04 CHK S.PARLOW 10FEB04 APVD E.WHEELER-KING 10FEB04 PRODUCT SPEC 108-3460 APPLICATION SPEC 411-3276 WEIGHT -	tyco Electronics Tyco Electronics Corporation Bideford, UK, EX39 4HE
MATERIAL SEE TABLE	FINISH -	CUSTOMER DRAWING	NAME SMA RIGHT ANGLE CRIMP ATTACHMENT CAPTIVE CONTACT RG58C/U, 141A/U, URM43, URM76, KX15 SIZE A3 CAGE CODE 00779 DRAWING NO C-1478923 RESTRICTED TO -
		SCALE 1:1	SHEET 1 OF 1 REV A