

4

3

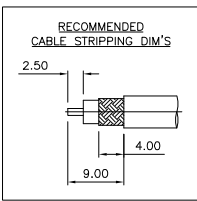
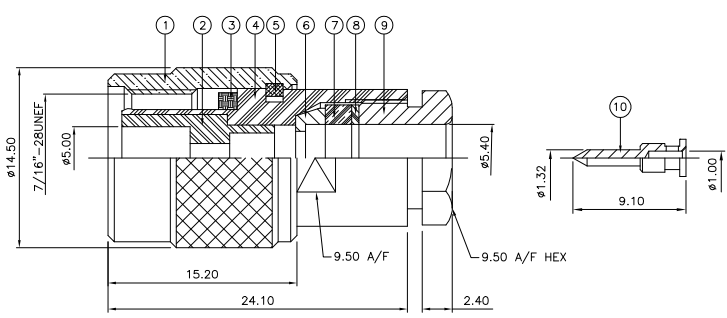
2

1

THIS DRAWING IS UNPUBLISHED. RELEASED FOR PUBLICATION DEC. 2005.
 © COPYRIGHT 2005 BY TYCO ELECTRONICS CORPORATION. ALL RIGHTS RESERVED.

LOC	DIST	REVISIONS			
P	LTR	DESCRIPTION	DATE	DWN	APVD
C		ECR-05-017969	14DEC05	JMS	FWK

- NOTES:**
- ⚠ PACK IN ACCORDANCE WITH AMP SPEC 107-3275
 - ⚠ 100 TRAY PACK IN ACCORDANCE WITH AMP SPEC 107-3275
 - ⚠ Ag PLATING
 - ⚠ THIS ITEM MUST BE WHITE
- 5 ELECTRICAL CHARACTERISTICS**
- | | |
|-------------------------------|----------------------------|
| FREQUENCY RANGE: | DC - 11 GHz |
| NOMINAL IMPEDANCE: | 50 Ohm |
| INSULATION RESISTANCE: | 5000 MOhm |
| WORKING VOLTAGE: | 500 Volts RMS at Sea Level |
| DIELECTRIC WITHSTAND VOLTAGE: | 1500 Volts RMS Max |
| CONTACT RESISTANCE: | |
| CENTRE CONTACT: | 1.50 mOhm Max |
| OUTER CONTACT: | 1.00 mOhm Max |
| VSWR @ 4GHz: | 1.30:1 Max |
| INSERTION LOSS dB @ x 3 GHz: | 0.20 Max |
- 6 MECHANICAL CHARACTERISTICS**
- | | |
|--|----------------------|
| COUPLING NUT RETENTION FORCE: | 445N Min |
| CABLE RETENTION FORCE: | 170N Min |
| CLAMP NUT RECOMMENDED TORQUE DURABILITY: | 4N
500 Cycles Min |
- 7 ENVIRONMENTAL CHARACTERISTICS**
- | | |
|------------------------|------------------|
| OPERATING TEMPERATURE: | -65 to +165 DegC |
|------------------------|------------------|



QTY	QTY PER ASSY	DESCRIPTION	ITEM
1	1	BRASS CONTACT	10
1	1	BRASS CLAMP NUT	9
1	1	BRASS WASHER	8
1	1	SILICON RUBBER GASKET	7
1	1	BRASS SLEEVE	6
1	1	BRASS CIRCLIP	5
1	1	BRASS BODY	4
1	1	SILICON RUBBER GASKET	3
1	1	PTFE INSULATION	2
1	1	BRASS COUPLING NUT	1
6--0	1--0	MATERIAL	DESCRIPTION

THIS DRAWING IS A CONTROLLED DOCUMENT.

DIMENSIONS: mm	TOLERANCES UNLESS OTHERWISE SPECIFIED:	DWN J. SANDWELL 14DEC05	14DEC05	Tyco Electronics Corporation Bideford EX39 4HE	
0 PLC ± -	1 PLC ± -	CHK S. PARLOW 14DEC05	14DEC05	NAME TNC STRAIGHT PLUG SOLDER MIL-CLAMP 50 OHM	
2 PLC ± -	3 PLC ± -	APVD F. WHEELER-KING 14DEC05	14DEC05	RG58C/U, 141A/U, URM43 ,76, Belden9907, KX15	
4 PLC ± -	ANGLES ± -	PRODUCT SPEC		SIZE A3	CAGE CODE 00779
MATERIAL SEE TABLE	FINISH -	APPLICATION SPEC 411-3252		DRAWING NO C=1337466	RESTRICTED TO -
		WEIGHT -		SCALE NTS	SHEET 1 OF 1 REV C

CUSTOMER DRAWING