

4

3

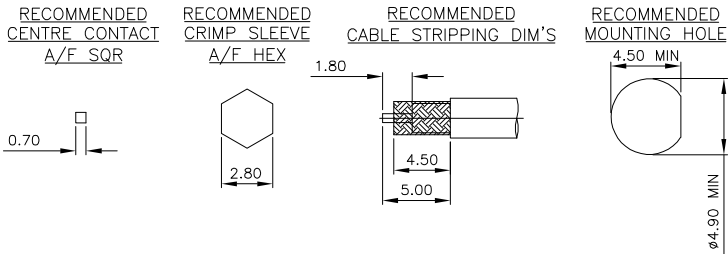
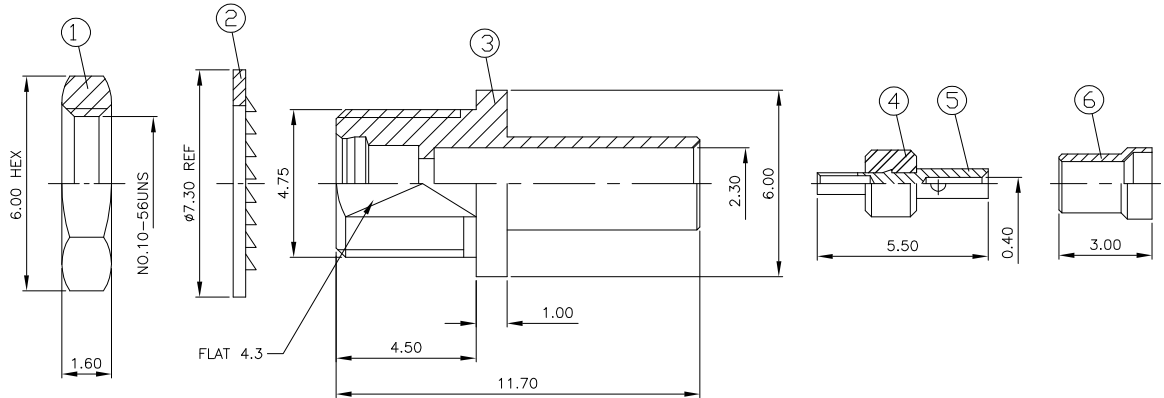
2

1

THIS DRAWING IS UNPUBLISHED. RELEASED FOR PUBLICATION NOV. 2003.
 © COPYRIGHT 2003 BY TYCO ELECTRONICS CORPORATION. ALL RIGHTS RESERVED.

LOC	DIST	REVISIONS			
P	LTR	DESCRIPTION	DATE	DWN	APVD
B		EBD0-0248-03	12NOV03	JMS	FWK

- 1 SINGLE PACK IN ACCORDANCE WITH SPEC 107-3275
- 2 100 TRAY PACK IN ACCORDANCE WITH SPEC 107-3275
- 3 0.76µm Au PLATING OVER 1.27µm Ni PLATING OVER 0.76µm Cu PLATING
- 4 0.08µm Au PLATING OVER 1.27µm Ni PLATING OVER 0.76µm Cu PLATING
- 5 HANDTOOL 9-1478240-0
- 6 DIE SET 9-1478248-0



QTY	UNIT	MATERIAL	DESCRIPTION	ITEM
1	1	BRASS	CRIMP SLEEVE	6
1	1	BERYLLIUM COPPER	SOCKET	5
1	1	PTFE	INSULATOR	4
1	1	BRASS	BODY	3
1	1	BRASS	WASHER	2
1	1	BRASS	NUT	1
6--0	1--0		MATERIAL	
			DESCRIPTION	

THIS DRAWING IS A CONTROLLED DOCUMENT.

DWN J. SANDWELL 12NOV03	Tyco Electronics Corporation Stanmore, Middlesex, HA7 4RS
CHK S. PARLOW 12NOV03	
APVD F. WHEELER-KING 12NOV03	NAME MMCX STRAIGHT BULKHEAD JACK CRIMP RG178 50 OHMS
PRODUCT SPEC 108-3462	SIZE A3
APPLICATION SPEC 411-3278	CAGE CODE 00779
MATERIAL SEE TABLE	DRAWING NO 1634006
FINISH SEE TABLE	RESTRICTED TO -
WEIGHT -	CUSTOMER DRAWING
SCALE NTS	SHEET 1 OF 1
REV B	