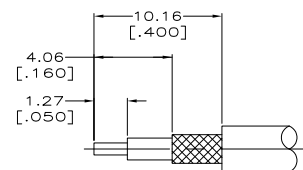
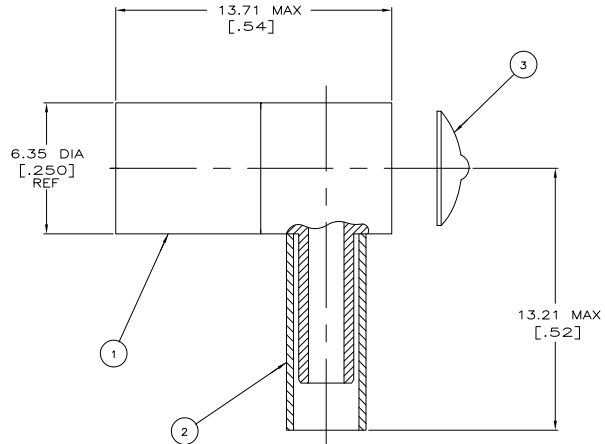


THE DRAWING IS UNPUBLISHED. RELEASED FOR PUBLICATION. COPYRIGHT © 2005 BY TYCO ELECTRONICS CORPORATION. ALL RIGHTS RESERVED.

REV	DATE	DESCRIPTION	BY	APP'D
L	04NOV05	REVISED PER EC 0514-0457-04	TS	JL
L1	12SEP09	REVISED PER ECO-09-021826	KK	AEG



RECOMMENDED STRIP LENGTHS
SCALE NTS

- 1. INTERFACE PER MIL-C-39012.
- 2. SEE INSTRUCTION SHEET 408-2987-9.
- ⚠ USES SCREW MACHINED CONTACT.
- ⚠ OBSOLETE PARTS: OBSOLETE CIS STREAMLINING PER D.RENAUD/D.SINISI

POSITION LETTER	AMP DIE SET	HEX SIZE	DANIELS DIE SET	END CAP QTY=1	FERRULE QTY=1	PLUG ASSY QTY=1	CABLE	PART NO
OBSOLETE	C	58483-1	.151	HX4-1637	414013-3	1-413889-4	414364-6	RG 174,188,316(ALL DBL SHIELDED) / 1-414363-4
OBSOLETE	C	58483-1	.151	HX4-1637	414013-3	1-413889-4	414364-1	RG 174,188,316(ALL DBL SHIELDED) / 1-414363-2
OBSOLETE	C	58483-1	.151	HX4-1637	414013-3	1-413889-4	414364-1	RG 174,188,316(ALL DBL SHIELDED) / 1-414363-1
OBSOLETE	A	58483-1	.105	HX4-1637	414013-3	1-413889-5	414364-4	RG 178,196 / 414363-9
OBSOLETE	A	58483-1	.105	HX4-1637	414013-3	1-413889-5	414364-3	RG 178,196 / 414363-8
OBSOLETE	C	58483-1	.151	HX4-1637	414013-3	1-413889-4	414364-2	RG 174,188,316(ALL DBL SHIELDED) / 414363-6
OBSOLETE	B	58483-1	.128	HX4-1637	414013-3	1-413889-3	414364-2	RG 174,188,316 / 414363-5
OBSOLETE	C	58483-1	.151	HX4-1637	414013-3	1-413889-4	414364-1	RG 174,188,316(ALL DBL SHIELDED) / 414363-4
OBSOLETE	B	58483-1	.128	HX4-1637	414013-3	1-413889-3	414364-1	RG 174,188,316 / 414363-3

POSITION LETTER	AMP DIE SET	HEX SIZE	DANIELS DIE SET
	M	22520/5-01	FOR BRAID CRIMP

TOOLING INFORMATION

THIS DRAWING IS A CONTROLLED DOCUMENT. **DN** B. MOYER **19JAN02**
DR J. FLANAGAN **25JAN02**

Tyco Electronics Tyco Electronics Corporation
 Harrisburg, PA 17105-3608

PRODUCT SPEC: PLUG,RTANG CRIMP,HEX CRIMP,SMB
 APPLICATION SPEC: ---
 SIZE: A2 CAGE CODE: 00779 DRAWING NO: 414363
 MATERIAL: --- WEIGHT: ---
 FINISH: --- CUSTOMER DRAWING: ---

SCALE: 8:1 SHEET: 1 of 1 REV: L1