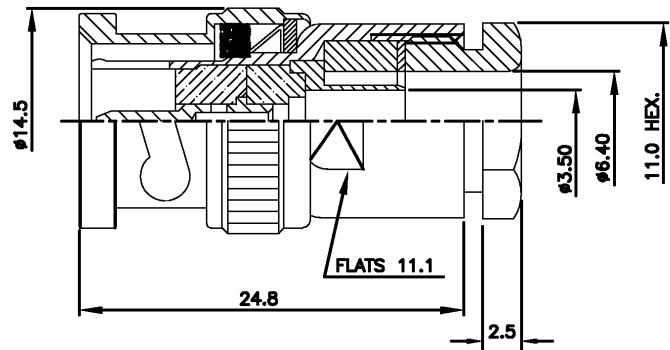


4 3 2 1

THIS DRAWING IS UNPUBLISHED. RELEASED FOR PUBLICATION 21-11-01
 © COPYRIGHT 2001 BY TYCO ELECTRONICS CORPORATION. ALL RIGHTS RESERVED.

LOC	DIST	REVISIONS			
P	LTR	DESCRIPTION	DATE	DWN	APVD
B		EB00-0091-03	18-03-02	AJB	R.G
A		RELEASE FOR PRODUCTION	21-11-01	AJB	FKV



⚠ SUPPLIED SEMI-ASSEMBLED (PACK CONTAINS LOOSE PIECES)
 VIEW SHOWS ASSEMBLED CONNECTOR (CABLE OMITTED)
 FOR CABLE TO CONNECTOR ASSEMBLY GUIDANCE
 REFER TO TYCO INSTRUCTION SHEET I.S 411 - 3274

ALL DIMENSIONS ARE NOMINAL. FOR REFERENCE ONLY.

PACK TYPE	DESCRIPTION	PART NUMBER
BAG	SINGLE ITEM	1-1478405-0

DIE SET PART NUMBER	N/A
HANDTOOL PART NUMBER	N/A
FOR USE ON CABLES	URM202
CONNECTOR PLATING DETAIL	SILVER
CONTACT PLATING DETAIL	SILVER
DIELECTRIC MATERIAL	TEFLON
GASKET MATERIAL	WHITE SILICONE RUBBER

THIS DRAWING IS A CONTROLLED DOCUMENT.		DWN A.BEKEN 21-11-01	Tyco Electronics Corporation Stanmore, Middlesex, HA7 4RS	
DIMENSIONS: MM		GK R.G 21-11-01	NAME F.W-KING 21-11-01	
TOLERANCES UNLESS OTHERWISE SPECIFIED:		APVD F.W-KING 21-11-01	PRODUCT SPEC 108-3435	
0 PLC ± -	1 PLC ± -	APPLICATION SPEC	SIZE A3	CAGE CODE 00779
2 PLC ± -	3 PLC ± -	WEIGHT	DRAWING NO 1478405	RESTRICTED TO
4 PLC ± -	ANGLES ± -	MATERIAL	CUSTOMER DRAWING	SCALE NTS
FINISH		SHEET 1 OF 1		REV B

AMP 1470-19 REV 31MAR2000

Y:\PBL\00-111\EB01713P_REV_B_ADD_REDC\1478405-C.dwg