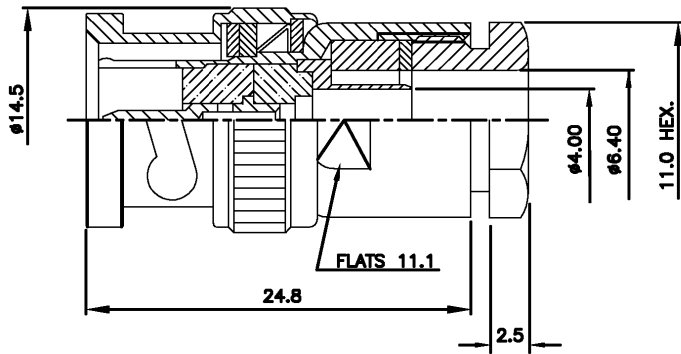


THIS DRAWING IS UNPUBLISHED. RELEASED FOR PUBLICATION 21-11-01.
 © COPYRIGHT 2001 BY TYCO ELECTRONICS CORPORATION. ALL RIGHTS RESERVED.

LOC	DIST	REVISIONS			
P	LTR	DESCRIPTION	DATE	DWN	APVD
B		EB00-0091-02	18-03-02	AJB	R.G
A		RELEASE FOR PRODUCTION	21-11-01	AJB	FKV



⚠ SUPPLIED SEMI-ASSEMBLED (PACK CONTAINS LOOSE PIECES)
 VIEW SHOWS ASSEMBLED CONNECTOR (CABLE OMITTED)
 FOR CABLE TO CONNECTOR ASSEMBLY GUIDANCE
 REFER TO TYCO INSTRUCTION SHEET I.S 411 - 3274

ALL DIMENSIONS ARE NOMINAL. FOR REFERENCE ONLY.

PACK TYPE	DESCRIPTION	PART NUMBER
BAG	SINGLE ITEM	1-1478404-0

DIE SET PART NUMBER	N/A
HANDTOOL PART NUMBER	N/A
FOR USE ON CABLES	RG59B/U, 140/U, 210/U, URM90, PSF 1/3M
CONNECTOR PLATING DETAIL	SILVER
CONTACT PLATING DETAIL	SILVER
DIELECTRIC MATERIAL	TEFLON
GASKET MATERIAL	WHITE SILICONE RUBBER

DIMENSIONS:		TOLERANCES UNLESS OTHERWISE SPECIFIED:		DWN		GK		APVD		NAME	
MM											
0 PLC	± .01	0	± .01	A. BEKEN	21-11-01	Tyco Electronics Corporation	Stanmore, Middlesex, HA7 4RS				
1 PLC	± .01	1	± .01	R.G	21-11-01	F. W-KING	BNC STRAIGHT PLUG SOLDER (PS) 59U 75 ohm				
2 PLC	± .01	2	± .01	108-3435		PRODUCT SPEC		RESTRICTED TO			
3 PLC	± .01	3	± .01	APPLICATION SPEC		SIZE		CAGE CODE		DRAWING NO	
4 PLC	± .01	4	± .01	WEIGHT		A3		00779		1478404	
ANGLES	± .01	FINISH		CUSTOMER DRAWING		SCALE		NTS		SHEET 1 OF 1 REV B	

AMP 1470-19 REV 31MAR2000

Y:\PBL\00-111\EB01713P_REV_B_ADD_REDC\1478404-C.dwg