

4

3

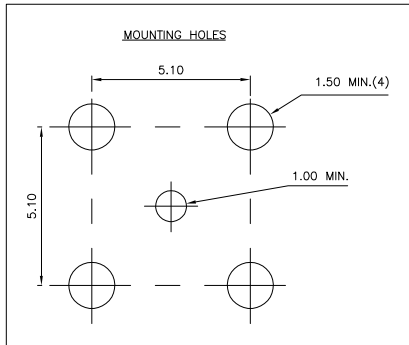
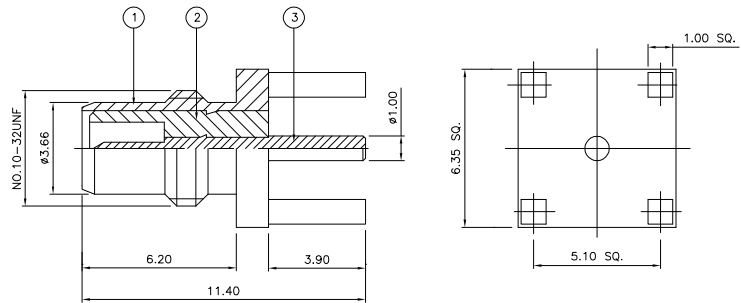
2

1

THIS DRAWING IS UNPUBLISHED. RELEASED FOR PUBLICATION JAN. 2006.
 © COPYRIGHT 2006 BY TYCO ELECTRONICS CORPORATION. ALL RIGHTS RESERVED.

LOC	DIST	REVISIONS			
P	LTR	DESCRIPTION	DATE	DWN	APVD
	C	ECR-05-017969	12JAN06	JMS	FWK

- NOTES:
- ⚠ PACK IN ACCORDANCE WITH AMP SPEC 107-3275
 - ⚠ 100 TRAY PACK IN ACCORDANCE WITH AMP SPEC 107-3275
 - ⚠ Au PLATING
- 4 ELECTRICAL CHARACTERISTICS
 FREQUENCY RANGE: DC - 10 GHz
 NOMINAL IMPEDANCE: 50 Ohm
 INSULATION RESISTANCE: 1000 MOhm
 WORKING VOLTAGE: 250 Volts RMS at Sea Level
 DIELECTRIC WITHSTAND VOLTAGE: 750 Volts RMS Max
 CONTACT RESISTANCE:
 CENTRE CONTACT: 6.00 mOhm Max
 OUTER CONTACT: 1.00 mOhm Max
- 5 MECHANICAL CHARACTERISTICS
 DURABILITY: 500 Cycles Min
- 6 ENVIRONMENTAL CHARACTERISTICS
 OPERATING TEMPERATURE: -65 to +165 DegC



QTY	1	1	MATERIAL	DESCRIPTION	ITEM
			BRASS	CONTACT	3
			PTFE	INSULATION	2
			BRASS	BODY	1
	6--0	1--0			

THIS DRAWING IS A CONTROLLED DOCUMENT.

DIMENSIONS:	TOLERANCES UNLESS OTHERWISE SPECIFIED:	DWN	J. SANDWELL	12JAN06
mm		CHK	S. PARLOW	12JAN06
		APVD	F. WHEELER-KING	12JAN06
		PRODUCT SPEC		
		APPLICATION SPEC		
		WEIGHT		
MATERIAL	FINISH			
SEE TABLE				

NAME: SMC STRAIGHT PCB SOCKET 50 OHM

SIZE: A3 CAGE CODE: 00779 DRAWING NO: 1337485

CUSTOMER DRAWING SCALE: NTS SHEET 1 OF 1 REV C