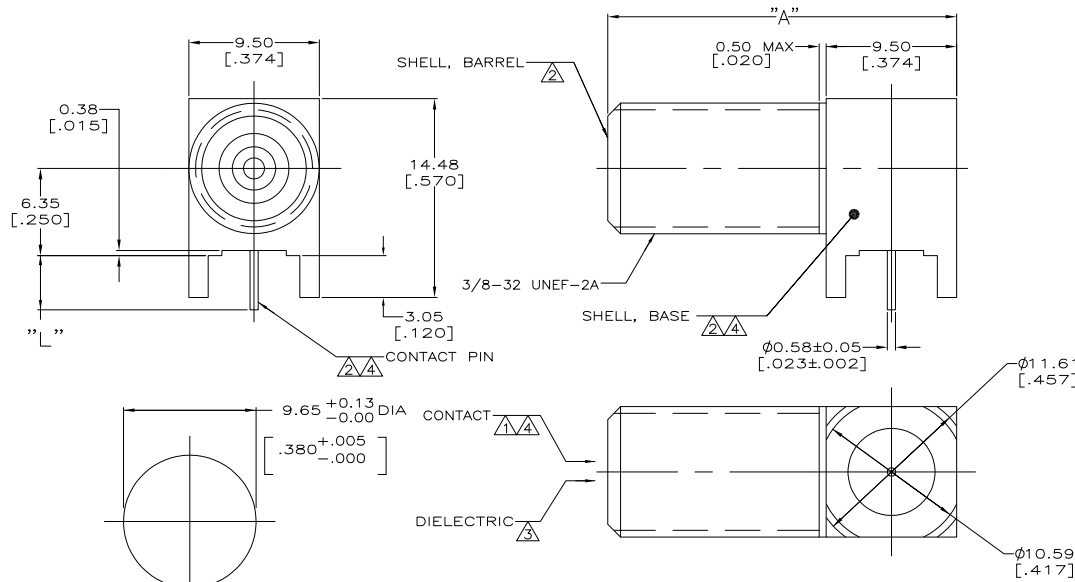


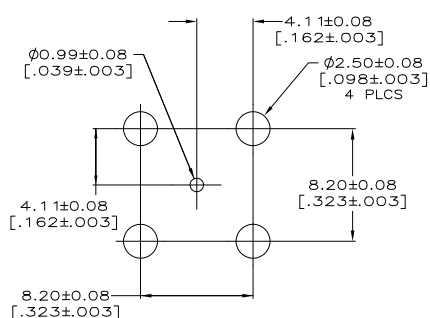
THIS DRAWING IS UNPUBLISHED. RELEASED FOR PUBLICATION.  
 © COPYRIGHT BY TYCO ELECTRONICS CORPORATION. ALL RIGHTS RESERVED.

LOC	DIST	REVISIONS					
		F	LTR	DESCRIPTION	DATE	BY	APP'D
AJ	00	A		REVISED PER ECO 06-016786	1/22/2007	DW	KW



- △ PHOSPHOR BRONZE.
- △ BRASS.
- △ PTFE.
- △ TIN PLATE 2.54 μm [.000100] MINIMUM THICK.
- △ NICKEL PLATE 2.54 μm [.000100] MINIMUM THICK.
- 6. CONNECTOR WILL ACCEPT CENTER CONDUCTOR DIAMETER RANGE OF 0.51[.020] - 1.19[.047].
- △ BRIGHT GOLD PLATE, 0.13 μm THICK (.000005) MIN THK.

SUGGESTED PANEL CUTOUT



PCB CONFIGURATION

△	3.48 [.137] MAX	25.40	1.000	5415302-4
△	3.48 [.137] MAX	25.40	1.000	5415302-3
△	3.94±0.51 [.155±0.020]	31.75	1.250	5415302-2
△	3.94±0.51 [.155±0.020]	25.40	1.000	5415302-1
FINISH (SHELL, BARREL)	L	A	PART NUMBER	
THIS DRAWING IS A CONTROLLED DOCUMENT. DIM: G. ATTADIA - 01FER2005. DOC#S: J. HAVENER - 01FER2005. APC: K. WEIDNER - 01FER2005. NAME: K. WEIDNER		Tyco Electronics Corporation Harrisburg, PA 17105-3608		
DIMENSIONS: mm [INCHES]		TOLERANCES UNLESS OTHERWISE SPECIFIED:		PRODUCT SPEC: 108-1755
0 PLC	± .	APPLICATION SPEC: -		
1 PLC	± .	SIZE: CASE CODE: DRAWING NO: A2 00779 ©=5415302		
2 PLC	± .	RESTRICTED TO: -		
3 PLC	± .020(0.008)	WEIGHT: -		
4 PLC	± .1	CUSTOMER DRAWING		
MATERIAL: △△△	FINISH: △△△△	SCALE: 5:1 SHEET: 1 of 1 REV: A		

AMP 1471-9 REV 31MM2000

5415302

A