

4

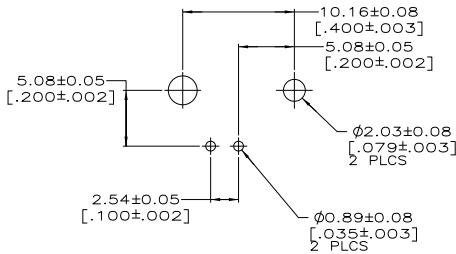
3

2

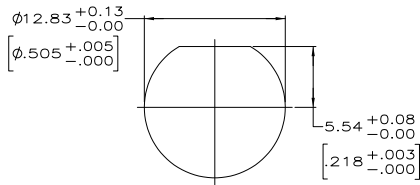
1

THIS DRAWING IS UNPUBLISHED. RELEASED FOR PUBLICATION.
 © COPYRIGHT BY TYCO ELECTRONICS CORPORATION. ALL RIGHTS RESERVED.

LOC	DIST	REVISIONS		
F	LWR	DESCRIPTION	DATE	BY
AJ	16	B	REV PER ECO 08-008474	7/22/2008 DW JL

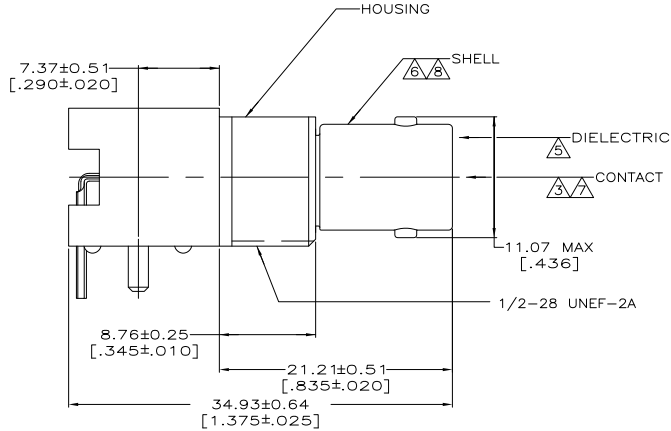
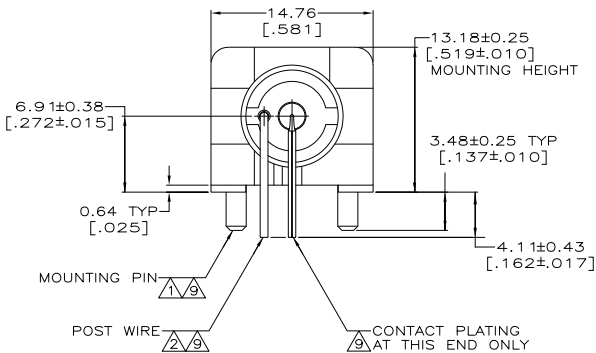


RECOMMENDED PCB LAYOUT



RECOMMENDED PANEL CUTOUT

- △ BRASS PER ASTM-B-16
- △ BRASS PER ASTM-B-453
- △ PHOSPHOR BRONZE PER ASTM-B-103
- △ POLYESTER PBT PER MIL-M-25419, TYPE GPT-15F, UL94V-0 RATED, COLOR: BLACK
- △ POLYMETHYLPENTENE: GENERAL PURPOSE
- △ ZINC DIE CAST PER QQ-Z-363
- △ GOLD PLATE PER ASTM-B-488, 0.76 μm [.000030] MIN THICKNESS
- △ NICKEL PLATE PER QQ-N-290, 3.81 μm [.000150] MIN THICKNESS
- △ TIN PLATE PER ASTM-B-545, 3.81 μm [.000150] MIN THICK.
- 10. USE INSTRUCTION SHEET 408-2769
- △ POLYESTER PBT PER MIL-M-25419, TYPE GPT-15F, UL94V-0 RATED, COLOR: WHITE



△	5415634-2
△	5415634-1
HOUSING MATERIAL	PART NUMBER

THIS DRAWING IS A CONTROLLED DOCUMENT.		DWN J. ALCORTA 27APR2005 CHK J. HAVENER 27APR2005 J. LIPPERT 27APR2005	Tyco Electronics Corporation Harrisburg, PA 17105-3608
DIMENSIONS: mm [INCHES] TOLERANCES UNLESS OTHERWISE SPECIFIED: 0 PLCS ± - 1 PLCS ± - 2 PLCS ± 0.20 (.008) 3 PLCS ± - 4 PLCS ± - ANGLES ± -	PRODUCT SPEC: 108-12078 APPLICATION SPEC: - WEIGHT: - FINISH: -	SIZE: A2 CASE CODE: 00779 DRAWING NO: C=5415634	RESTRICTED TO: - CUSTOMER DRAWING
SEE NOTES	SEE NOTES	SCALE: 4:1	SHEET 1 of 1 REV B

AMP 1471-9 REV 31MM2000

5415634

A