

4

3

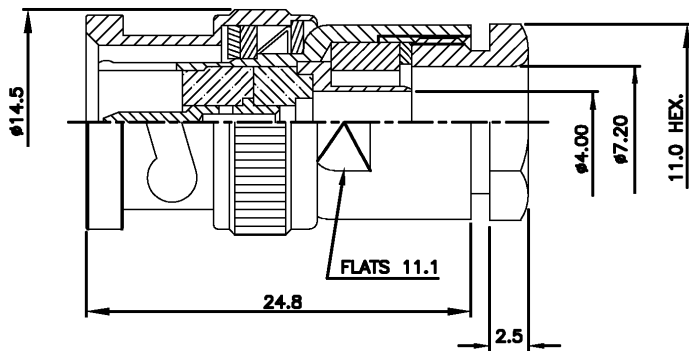
2

1

THIS DRAWING IS UNPUBLISHED. RELEASED FOR PUBLICATION 21-11-01
 © COPYRIGHT 2001 BY TYCO ELECTRONICS CORPORATION. ALL RIGHTS RESERVED.

LOC		DIST		REVISIONS			
P	LTR	DESCRIPTION	DATE	DWN	APVD		
B		EB00-0091-02	18-03-02	AJB	R.G		
A		RELEASE FOR PRODUCTION	21-11-01	AJB	FKV		

⚠ SUPPLIED SEMI-ASSEMBLED (PACK CONTAINS LOOSE PIECES)
 VIEW SHOWS ASSEMBLED CONNECTOR (CABLE OMITTED)
 FOR CABLE TO CONNECTOR ASSEMBLY GUIDANCE
 REFER TO TYCO INSTRUCTION SHEET I.S 411 - 3274



ALL DIMENSIONS ARE NOMINAL. FOR REFERENCE ONLY.

BAG	SINGLE ITEM	1-1478407-0
PACK TYPE	DESCRIPTION	PART NUMBER

DIE SET PART NUMBER	N/A
HANDTOOL PART NUMBER	N/A
FOR USE ON CABLES	BT2003
CONNECTOR PLATING DETAIL	SILVER
CONTACT PLATING DETAIL	SILVER
DIELECTRIC MATERIAL	TEFLON
GASKET MATERIAL	WHITE SILICONE RUBBER

DIMENSIONS:		TOLERANCES UNLESS OTHERWISE SPECIFIED:		DWN		Tyco Electronics Corporation	
MM							Stanmore, Middlesex, HA7 4RS
0 PLC	± .	0	± .	A. BEKEN	21-11-01	APVD	
1 PLC	± .	1	± .	R.G	21-11-01	NAME	
2 PLC	± .	2	± .	F. W-KING	21-11-01	BNC STRAIGHT PLUG SOLDER (PS) BT2003 75 ohm	
3 PLC	± .	3	± .			PRODUCT SPEC	
4 PLC	± .	4	± .			108-3435	
ANGLES	± .		± .			APPLICATION SPEC	
MATERIAL		FINISH				SIZE	CAGE CODE
						A3	00779
						DRAWING NO	1478407
						RESTRICTED TO	
						CUSTOMER DRAWING	
						SCALE	NTS
						SHEET	1 OF 1
						REV	B

AMP 1470-19 REV 31MAR2000

Y:\PBL\00-111\EB01713P_REV_B_ADD_REDC\1478407-C.dwg