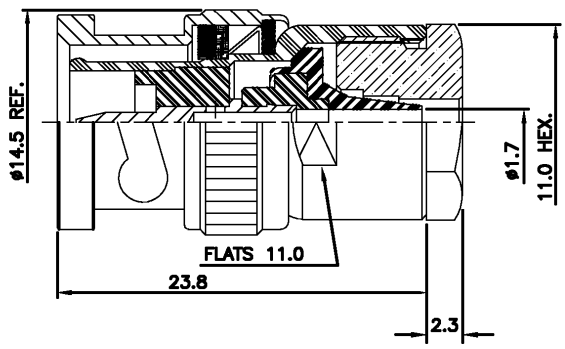


4 3 2 1

THIS DRAWING IS UNPUBLISHED. RELEASED FOR PUBLICATION 21-11-01  
 © COPYRIGHT 2001 BY TYCO ELECTRONICS CORPORATION. ALL RIGHTS RESERVED.

LOC	DIST	REVISIONS				
P	LTR	DESCRIPTION	DATE	DWN	APVD	
B		EB00-0091-02	18-03-02	AJB	R.G	
A		RELEASE FOR PRODUCTION	21-11-01	AJB	FKV	



⚠ SUPPLIED SEMI-ASSEMBLED (PACK CONTAINS LOOSE PIECES)  
 VIEW SHOWS ASSEMBLED CONNECTOR (CABLE OMITTED)  
 FOR CABLE TO CONNECTOR ASSEMBLY GUIDANCE  
 REFER TO TYCO INSTRUCTION SHEET I.S 411 - 3267

**ALL DIMENSIONS ARE NOMINAL. FOR REFERENCE ONLY.**

BAG	SINGLE ITEM	1-1478403-0
PACK TYPE	DESCRIPTION	PART NUMBER

DIE SET PART NUMBER	N/A
HANDTOOL PART NUMBER	N/A
FOR USE ON CABLES	RG179B/U, 187A/U, URML11
CONNECTOR PLATING DETAIL	SILVER
CONTACT PLATING DETAIL	SILVER
DIELECTRIC MATERIAL	TEFLON
GASKET MATERIAL	WHITE SILICONE RUBBER

THIS DRAWING IS A CONTROLLED DOCUMENT.		DWN A.BEKEN 21-11-01	Tyco Electronics Corporation Stanmore, Middlesex, HA7 4RS	
DIMENSIONS: MM	TOLERANCES UNLESS OTHERWISE SPECIFIED:	CHK R.G 21-11-01	NAME F.W-KING 21-11-01	
0 PLC ±-	1 PLC ±-	APVD F.W-KING 21-11-01	BNC STRAIGHT PLUG SOLDER (PS) RG179 75 ohm	
1 PLC ±-	2 PLC ±-	PRODUCT SPEC 108-3435	RESTRICTED TO	
2 PLC ±-	3 PLC ±-	APPLICATION SPEC	SIZE A3	CAGE CODE 00779
3 PLC ±-	4 PLC ±-	WEIGHT	DRAWING NO 1478403	REVISION B
ANGLES ±-	FINISH	CUSTOMER DRAWING	SCALE NTS	SHEET 1 OF 1

AMP 1470-19 REV 31MAR2000

Y:\PBL\00-111\EB01713P\_REV\_B\_ADD\_REDC\1478403-C.dwg