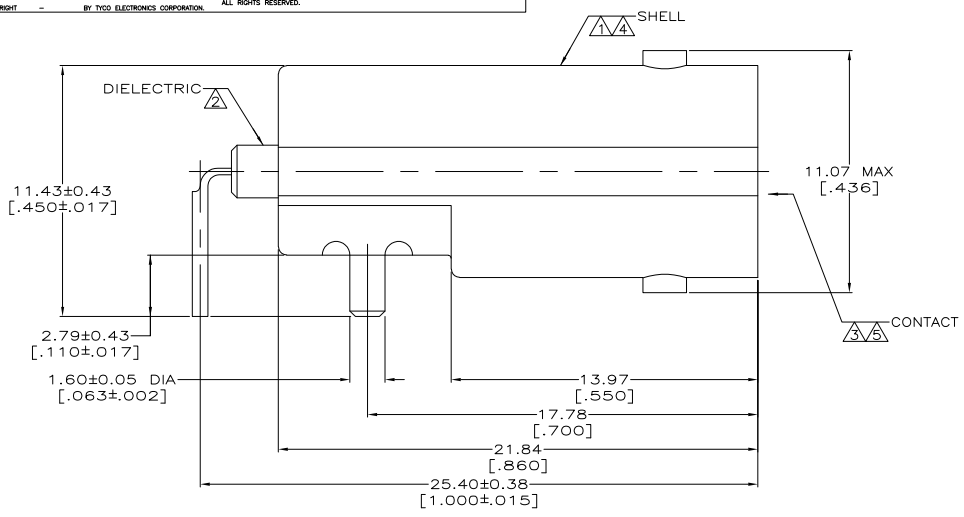
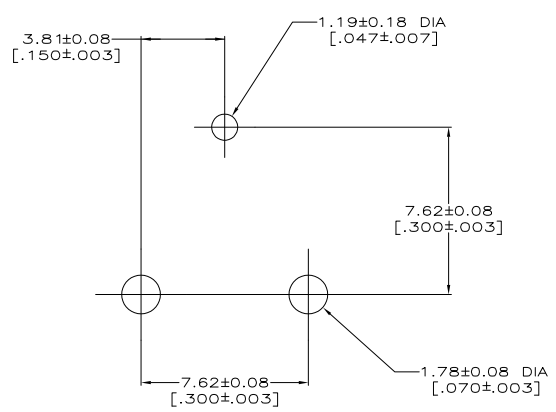


THIS DRAWING IS UNPUBLISHED. RELEASED FOR PUBLICATION. BY TYCO ELECTRONICS CORPORATION. ALL RIGHTS RESERVED.

LOC	DIST	REVISIONS			
F	LN	DESCRIPTION	DATE	BY	APP'D
AJ	16	REVISED PER EC 0514-0150-05	20OCT2005	REH	JL



- 1 ZINC PER QQ-Z-363.
- 2 POLYMETHYLPENTENE, GENERAL PURPOSE.
- 3 PHOSPHOR BRONZE PER QQ-B-750.
- 4 NICKEL PLATE PER QQ-N-290, 3.81 μm [.000150] MINIMUM THICK.
- 5 GOLD PLATE PER ASTM-B-488, 0.76 μm [.000030] MINIMUM THICK.



SUGGESTED PCB CONFIGURATION

6274127-1
PART NUMBER

THIS DRAWING IS A CONTROLLED DOCUMENT.		DRN J. ALCORTA 28APR2005	TYCO ELECTRONICS	Tyco Electronics Corporation Harrisburg, PA 17105-3608
DIMENSIONS: INCHES		CHK J. HAVENER 28APR2005	NAME J. LIPPERT	PRODUCT SPEC.
TOLERANCES UNLESS OTHERWISE SPECIFIED:		APPL J. LIPPERT	APPLICATION SPEC.	SIZE CAGE CODE DRAWING NO
0 PLC	± .005	PRODUCT SPEC.	—	RESTRICTED TO
1 PLC	± .005	—	—	—
2 PLC	± .010	—	—	—
3 PLC	± .015	—	—	—
4 PLC	± .020	—	—	—
ANGLES	± .005	—	—	—
MATERIAL SEE NOTES 1 THRU 3		WEIGHT	—	—
FINISH SEE NOTES 4 & 5		CUSTOMER DRAWING	SCALE 8:1	SHEET 1 of 1 REV A