

4

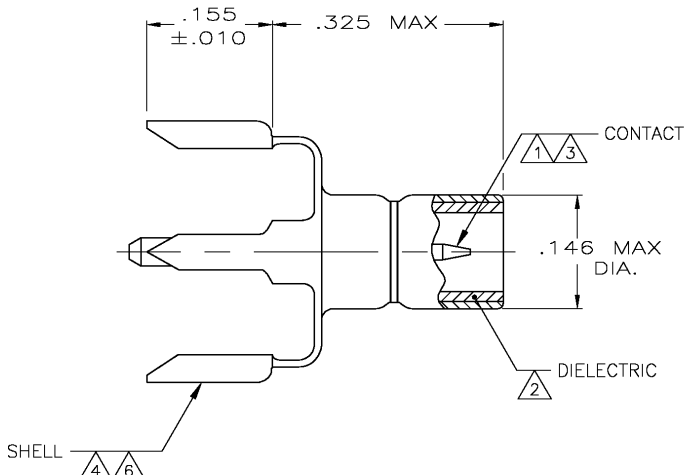
3

2

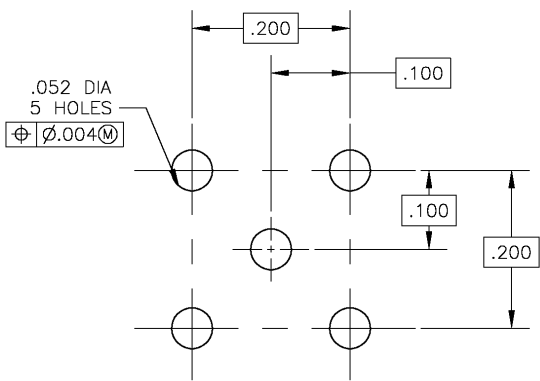
1

THIS DRAWING IS UNPUBLISHED. RELEASED FOR PUBLICATION  
 © COPYRIGHT - BY TYCO ELECTRONICS CORPORATION. ALL RIGHTS RESERVED.

LOC	DIST	REVISIONS				
P	LTR	DESCRIPTION	DATE	DWN	APVD	
	B	RDW & REV PER OS14-0180-04	11-01-04	JDP	KW	



- 1 BRASS PER ASTM-B-16.
- 2 PTFE TEFLON PER ASTM-D-1710.
- 3 GOLD PLATE PER ASTM-B-488.
- 4 TIN PLATE PER ASTM-B-545.
- 5 NICKEL PLATE PER QQ-N-290.
- 6 BRASS PER ASTM-B-36.



RECOMMENDED PCB HOLE CONFIGURATION

221111-1  
 PART NUMBER

THIS DRAWING IS A CONTROLLED DOCUMENT.		DWN T. SMITH 2-28-84	Tyco Electronics Corporation Harrisburg, Pa 17105-3608	
DIMENSIONS: INCHES		CHK D.S. HEIDE 3-2-84	NAME	
TOLERANCES UNLESS OTHERWISE SPECIFIED:		APVD R.E. CAPP 3-2-84	JACK, PCB, VERTICAL SMB	
0 PLC ± -		PRODUCT SPEC	SIZE CAGE CODE DRAWING NO	
1 PLC ± -		APPLICATION SPEC	A3 00779 C-221111-1	
2 PLC ± -		WEIGHT	RESTRICTED TO	
3 PLC ± .002			-	
4 PLC ± -				
ANGLES ± -				
MATERIAL SEE NOTES	FINISH SEE NOTES	CUSTOMER DRAWING	SCALE 8:1	SHEET 1 OF 1
			REV B	