

4

3

2

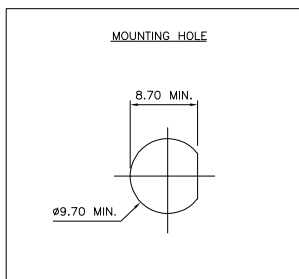
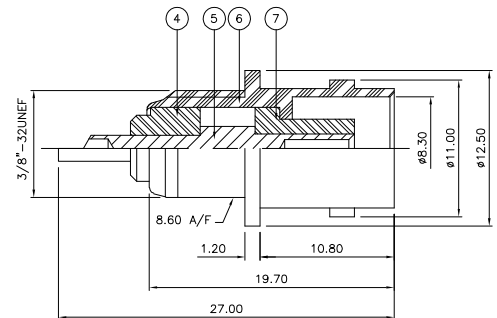
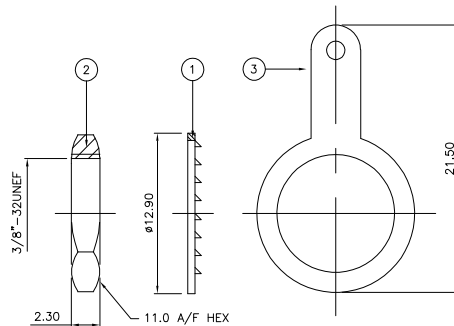
1

THIS DRAWING IS UNPUBLISHED. RELEASED FOR PUBLICATION DEC 2005.
 © COPYRIGHT 2005 BY TYCO ELECTRONICS CORPORATION. ALL RIGHTS RESERVED.

LOC		DIST		REVISIONS			
P	LTR	DESCRIPTION		DATE	DWN	APVD	
	C	ECR-05-017969		13DEC05	JMS	FWK	

- NOTES:
- ⚠ PACK IN ACCORDANCE WITH AMP SPEC 107-3275
 - ⚠ 100 TRAY PACK IN ACCORDANCE WITH AMP SPEC 107-3275
 - ⚠ Ag PLATING

- 4 ELECTRICAL CHARACTERISTICS
- | | |
|-------------------------------|----------------------------|
| FREQUENCY RANGE: | DC - 4 GHz |
| NOMINAL IMPEDANCE: | 50 Ohm |
| INSULATION RESISTANCE: | 5000 MOhm |
| WORKING VOLTAGE: | 500 Volts RMS at Sea Level |
| DIELECTRIC WITHSTAND VOLTAGE: | 1500 Volts RMS Max |
| CONTACT RESISTANCE: | |
| CENTRE CONTACT: | 1.50 mOhm Max |
| OUTER CONTACT: | 0.20 mOhm Max |
| VSWR @ xGHz: | N/A |
| INSERTION LOSS xdb: | N/A |
- 5 MECHANICAL CHARACTERISTICS
- | | |
|-------------------------------|----------------|
| COUPLING RETENTION FORCE: | N/A |
| CABLE RETENTION FORCE: | N/A |
| MOUNT NUT RECOMMENDED TORQUE: | 2.5N |
| DURABILITY: | 500 Cycles Min |
- 6 ENVIRONMENTAL CHARACTERISTICS
- | | |
|------------------------|------------------|
| OPERATING TEMPERATURE: | -65 to +165 DegC |
|------------------------|------------------|



QTY	QTY PER ASSY	QTY PER ASSY	PARTS LIST	DESCRIPTION	ITEM
1	1	1	PTFE	INSULATION	7
1	1	1	BRASS	⚠ BODY	6
1	1	1	BRASS	⚠ CONTACT	5
1	1	1	PTFE	INSULATION	4
1	1	1	BRASS	⚠ SOLDER TAG	3
1	1	1	BRASS	⚠ HEX NUT	2
1	1	1	STEEL	⚠ LOCKWASHER	1
6--0	1--0	1--0	MATERIAL	DESCRIPTION	ITEM

THIS DRAWING IS A CONTROLLED DOCUMENT.	
DIMENSIONS:	TOLERANCES UNLESS OTHERWISE SPECIFIED:
mm	0 PLC ± .05
	1 PLC ± .02
	2 PLC ± .01
	3 PLC ± .005
	4 PLC ± .002
	ANGLES ± .05
MATERIAL	FINISH
SEE TABLE	-

DWN	J. SANDWELL	13DEC05
CHK	S. PARLOW	13DEC05
APVD	F. WHEELER-KING	13DEC05
NAME	BNC BULKHEAD SOCKET FRONT MOUNT 50 OHM + TAG	
SIZE	CAGE CODE	DRAWING NO
A3	00779	1337450
CUSTOMER DRAWING	SCALE	SHEET
	NTS	1 OF 1
		REV C