

4

3

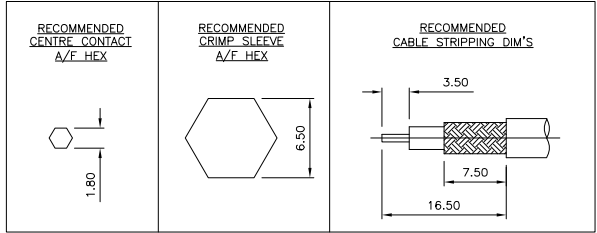
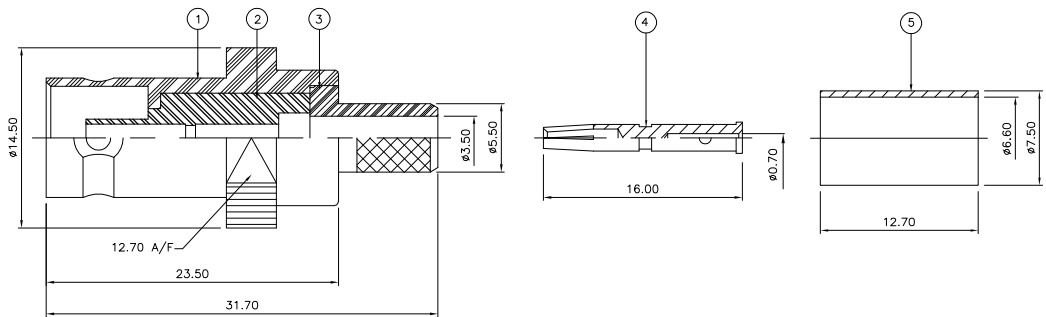
2

1

THIS DRAWING IS UNPUBLISHED. RELEASED FOR PUBLICATION JUN 2006.  
 © COPYRIGHT 2006 BY TYCO ELECTRONICS CORPORATION. ALL RIGHTS RESERVED.

LOC		DIST		REVISIONS			
P	LTR	DESCRIPTION		DATE	DWN	APVD	
B		ECR-06-013423		15JUN06	JMS	FWK	

- NOTES:**
- 1. PACK IN ACCORDANCE WITH AMP SPEC 107-3275
  - 2. 100 TRAY PACK IN ACCORDANCE WITH AMP SPEC 107-3275
  - 3. Ag PLATING
  - 4. HAND TOOL : 9-1478240-0
  - 5. DIE SET : 9-1478242-0
  - 6. **ELECTRICAL CHARACTERISTICS**  
 FREQUENCY RANGE: DC - 2 GHz  
 NOMINAL IMPEDANCE: 75 Ohm  
 INSULATION RESISTANCE: 5000 MOhm  
 WORKING VOLTAGE: 500 Volts RMS at Sea Level  
 DIELECTRIC WITHSTAND VOLTAGE: 1500 Volts RMS Max  
 CONTACT RESISTANCE:  
 CENTRE CONTACT: 1.50 mOhm Max  
 OUTER CONTACT: 0.20 mOhm Max  
 VSWR @ 2GHz: 1.20:1 Max  
 INSERTION LOSS dB @ x 2 GHz: 0.20 Max
  - 7. **MECHANICAL CHARACTERISTICS**  
 COUPLING RETENTION FORCE: N/A  
 CABLE RETENTION FORCE: 170N Min  
 DURABILITY: 500 Cycles Min
  - 8. **ENVIRONMENTAL CHARACTERISTICS**  
 OPERATING TEMPERATURE: -65 to +165 DegC
  - 9. FOR TECHNICAL DATA REFER TO YOUR LOCAL TYCO ELECTRONICS SALES OFFICE
  - 10. ALL DIMENSIONS ARE NOMINAL FOR REFERENCE ONLY UNLESS OTHERWISE STATED



THIS DRAWING IS A CONTROLLED DOCUMENT.

DIMENSIONS:	TOLERANCES UNLESS OTHERWISE SPECIFIED:
mm	0 PLC ± -
	1 PLC ± -
	2 PLC ± -
	3 PLC ± -
	4 PLC ± -
	ANGLES ± -
MATERIAL:	FINISH:
SEE TABLE	-

QTY	PER ASSY	MATERIAL	DESCRIPTION	ITEM
1	1	BRASS	FERRULE	5
1	1	BRASS	CONTACT	4
1	1	BRASS	CHASSIS	3
1	1	PTFE	INSULATION	2
1	1	BRASS	BODY	1
6--0	1--0	MATERIAL	DESCRIPTION	ITEM

QUANTITY PER ASSY: 1 1 1 1 1 6--0 1--0

PARTS LIST

THIS DRAWING IS A CONTROLLED DOCUMENT. DWN: J. SANDWELL 15JUN06  
 CHK: S. PARLOW 15JUN06  
 APVD: F. WHEELER-KING 15JUN06

**Tyco Electronics** Tyco Electronics Corporation  
 Bideford EX39 4HE

NAME: BNC STRAIGHT JACK CRIMP 75 OHM URM70

APPLICATION SPEC: 411-3247

SIZE: A3 CAGE CODE: 00779 DRAWING NO: 1478061 RESTRICTED TO: -

WEIGHT: -

CUSTOMER DRAWING SCALE: NTS SHEET 1 OF 1 REV B